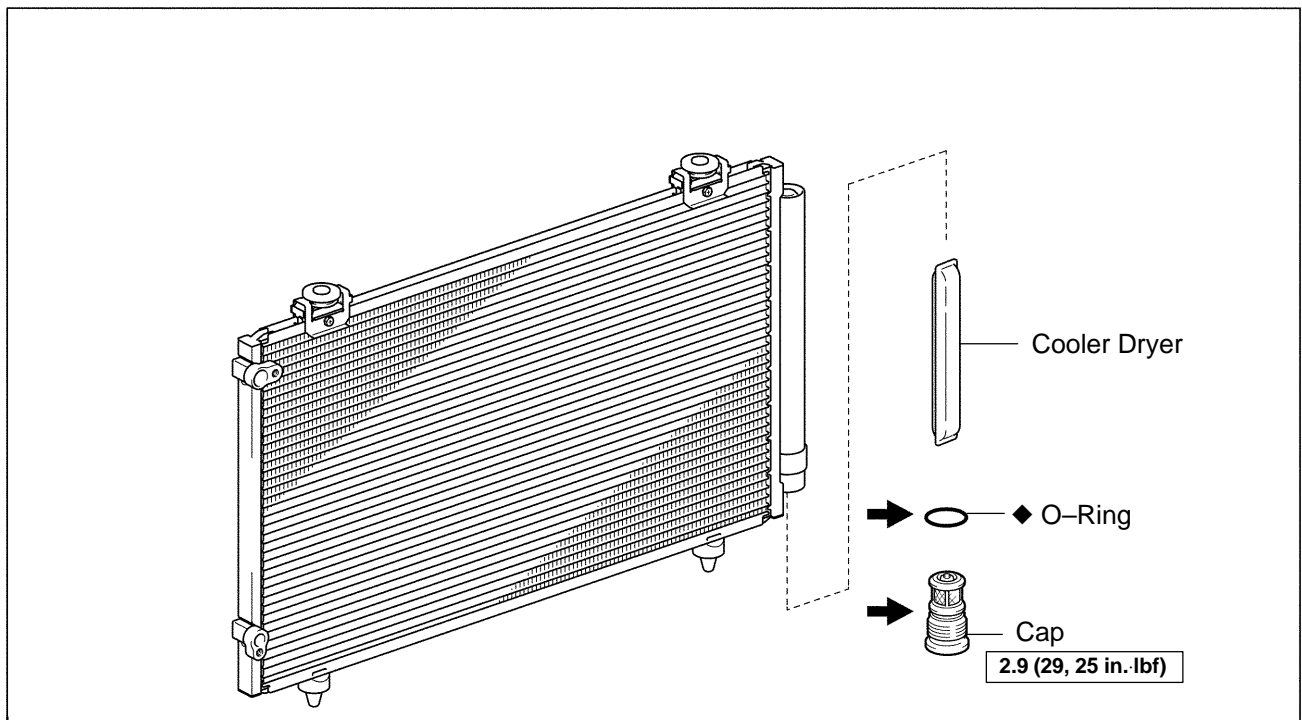
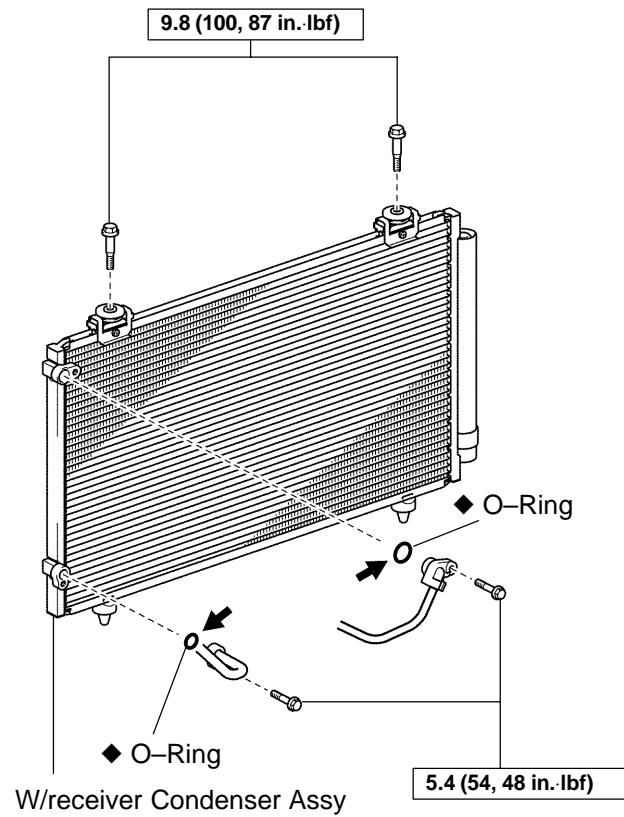


# COMPONENTS



**N·m (kgf·cm, ft·lbf)** : Specified torque

← Compressor Oil ND-OIL 8 or equivalent

◆ Non-reusable part

P2004 COROLLA (RM1037U)