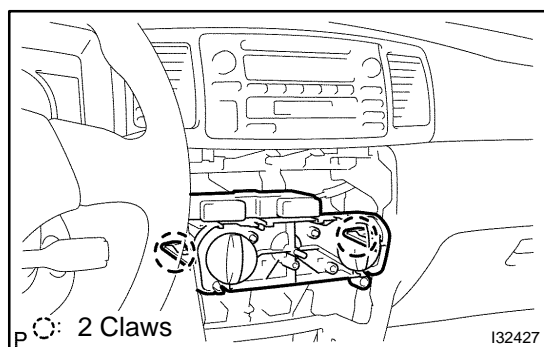


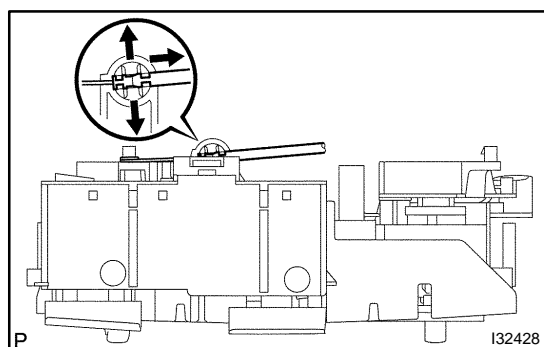
# HEATER CONTROL & ACCESSORY ASSY REPLACEMENT

550IT-01

1. REMOVE CONSOLE PANEL UPPER (See page 71-10)
2. REMOVE INSTRUMENT CLUSTER FINISH PANEL (See page 71-10)



3. REMOVE HEATER CONTROL & ACCESSORY ASSY
  - (a) Release the 2 fitting claws and pull out the heater control & accessory assy.



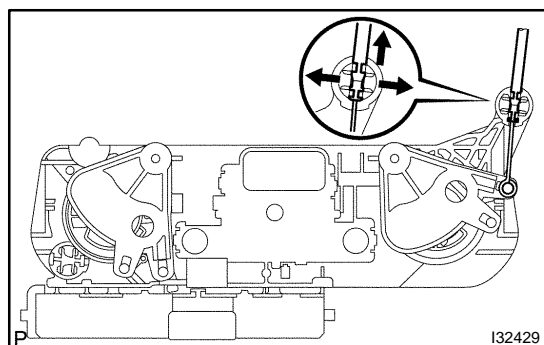
- (b) Using a screwdriver, open the claw of the cable clamp and disconnect the defroster damper control cable.

**NOTICE:**

- Be careful not to bend the cable wire.
- If the cable wire bends, the heater control & accessory assy operability becomes worse.

**HINT:**

Tape the screwdriver tip before use.



- (c) Using a screwdriver, open the claw of the cable clamp and disconnect the air mix damper control cable.

**NOTICE:**

- Be careful not to bend the cable wire.
- If the cable wire bends, the heater control & accessory assy operability becomes worse.

**HINT:**

Tape the screwdriver tip before use.

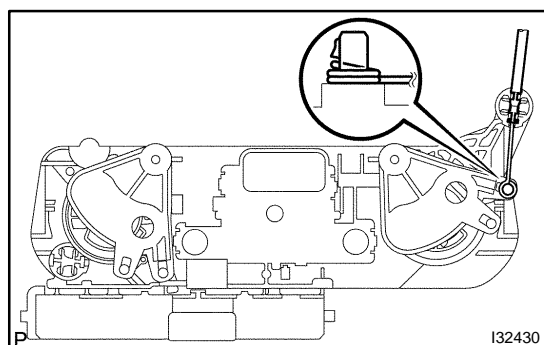
- (d) Disconnect the connector, remove the heater control & accessory assy.

**4. INSTALL HEATER CONTROL & ACCESSORY ASSY**

- (a) Install the inner cable end of the air mix damper control cable to the heater control lever.
  - (b) Install the outer cable of the air mix damper control cable to the cable clamp.

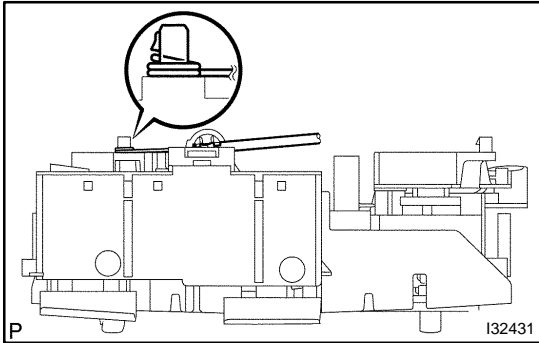
**NOTICE:**

- Be careful not to bend the cable wire.
- If the cable wire bends, the heater control & accessory assy operability becomes worse.



## HINT:

- Operating the heater control knob and check that it properly stops at both ends of MAX. COOL and MAX. HOT and no recoil is identified.
- Check that the outer cable should not be disengaged (moved) from the heater control & accessory assy when the cable is pulled.



- (c) Install the inner cable end of the defroster damper control cable to the heater control lever.
- (d) Install the outer cable of the defroster damper control cable to the cable clamp.

## NOTICE:

- **Be careful not to bend the cable wire.**
- **If the cable wire bends, the heater control & accessory assy operability becomes worse.**

## HINT:

- Operating the heater control knob and check that it properly stops at both ends of FACE and DEF and no recoil is identified.
  - Check that the outer cable should not be disengaged (moved) from the heater control & accessory assy when the cable is pulled.
- (e) Connect the connector, install the heater control & accessory assy.