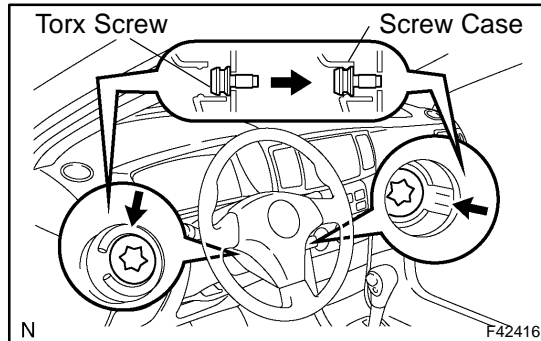


OVERHAUL

1. PRECAUTION
2. DISCONNECT BATTERY NEGATIVE TERMINAL
3. INSPECT PLACE FRONT WHEELS FACING STRAIGHT AHEAD

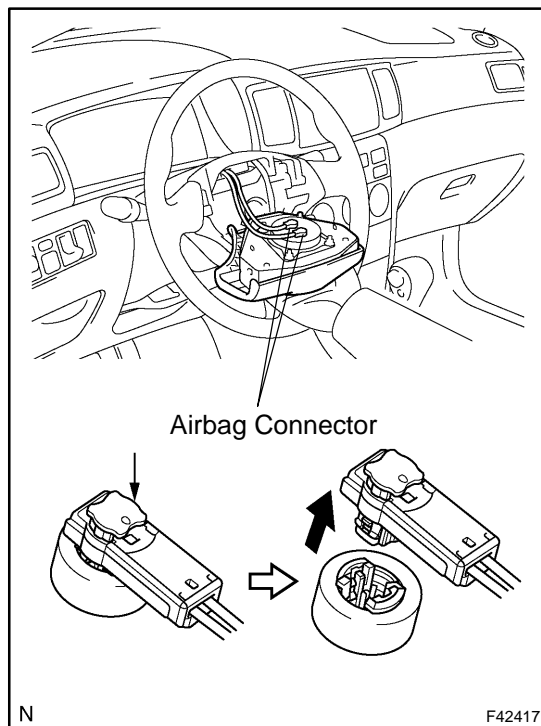


4. REMOVE HORN BUTTON ASSY

NOTICE:

If the airbag connector is disconnected with the ignition switch being at ON, DTCs will be recorded.

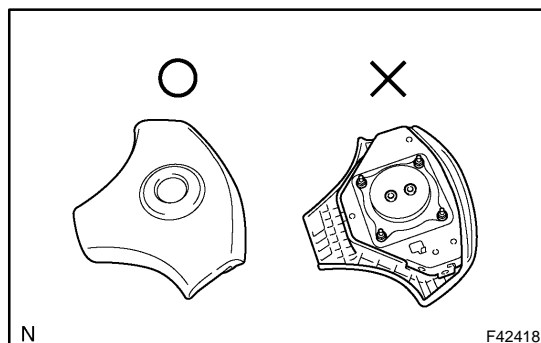
- (a) Using a torx socket wrench, loosen the 2 torx screws until the groove along the screw circumference catches on the screw case.



- (b) Pull out the horn button assy from the steering wheel.
- (c) Using a screwdriver, release the lock part of each airbag connector and disconnect the 2 airbag connectors.

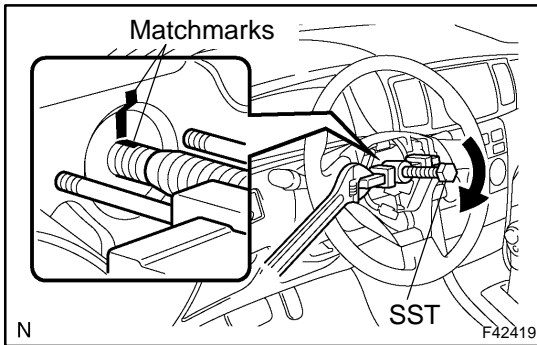
NOTICE:

When removing the horn button assy, take care not to pull the airbag wire harness.



CAUTION:

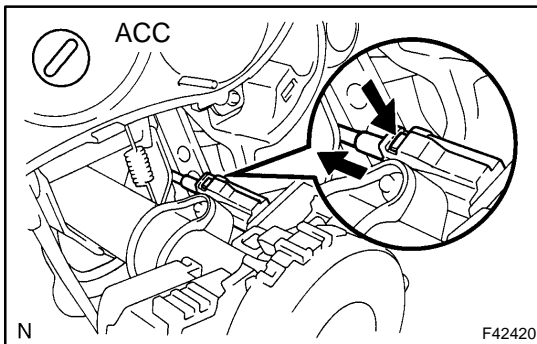
- When storing the horn button assy, keep the upper surface of the pad facing upward.
- Never disassemble the horn button assy.

**5. REMOVE STEERING WHEEL ASSY**

- (a) Disconnect the connector.
- (b) Remove the steering wheel assy set nut.
- (c) Place matchmarks on the steering wheel assy and main shaft assy.
- (d) Using SST, remove the steering wheel assy.
SST 09950-50013 (09951-05010, 09952-05010, 09953-05020, 09954-05021)

6. REMOVE STEERING COLUMN COVER

- (a) Remove the 3 screws and steering column cover.

**7. DISCONNECT FLOOR SHIFT PARKING LOCK CABLE ASSY (A/T TRANSAXLE)**

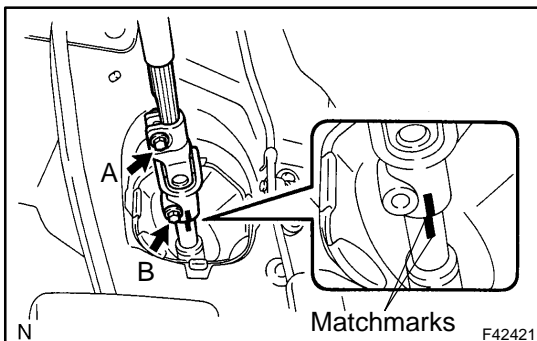
- (a) With the key in ACC, push the claw and pull out the floor shift parking lock cable.

8. REMOVE SPIRAL CABLE SUB-ASSY**9. REMOVE HEADLAMP DIMMER SWITCH ASSY**

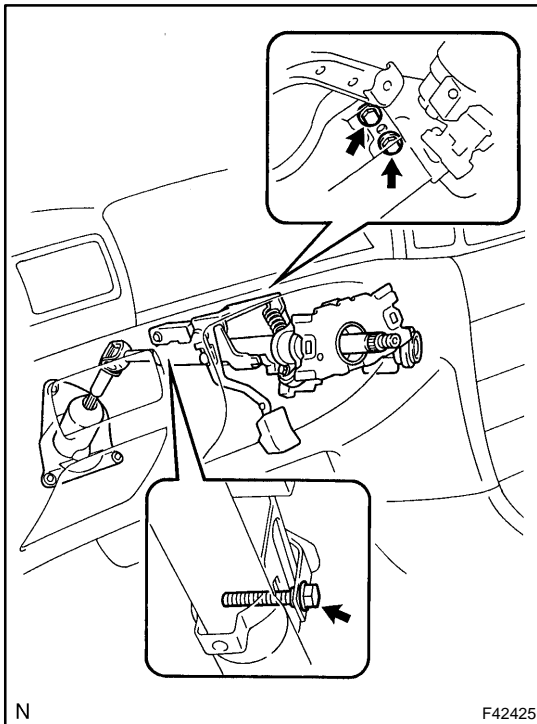
- (a) Disconnect the connector and remove the headlamp dimmer switch assy.

10. REMOVE WINDSHIELD WIPER SWITCH ASSY

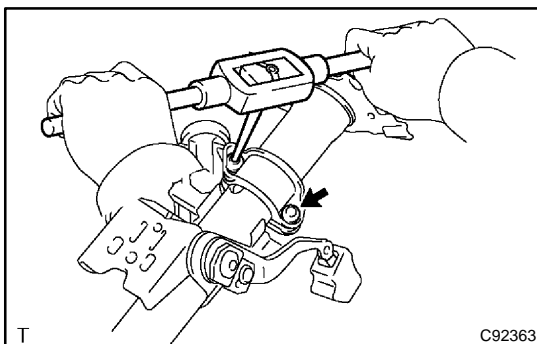
- (a) Disconnect the connector and remove the windshield wiper switch assy.

11. REMOVE COLUMN HOLE COVER SILENCER SHEET**12. DISCONNECT STEERING INTERMEDIATE SHAFT**

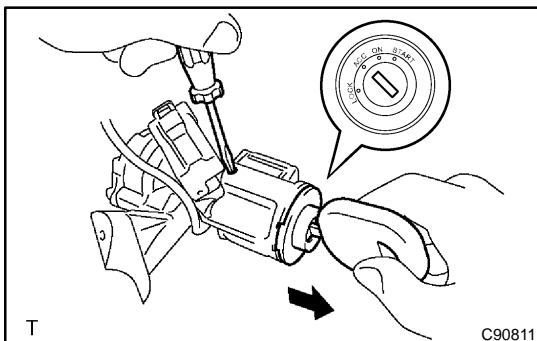
- (a) Place matchmarks on the sliding yoke and steering intermediate shaft.
- (b) Loosen the bolt A and remove the bolt B, then disconnect the steering intermediate shaft.

**13. REMOVE STEERING COLUMN ASSY**

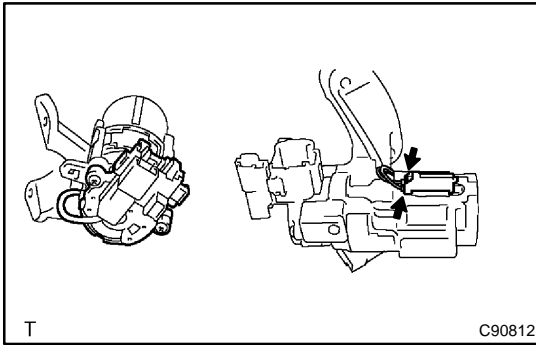
- (a) Disconnect the connectors and wire harness clamps from the steering column assy.
- (b) Remove the 3 bolts and steering column assy.

**14. REMOVE STEERING COLUMN UPPER W/SWITCH BRACKET ASSY**

- (a) Using a centering punch, mark the center of the 2 tapered-head bolts.
- (b) Using a 3 – 4 mm (0.12 – 0.16 in.) drill, drill into the 2 bolts.
- (c) Using a screw extractor, remove the 2 bolts and steering column upper w/switch bracket assy.

15. REMOVE STEERING COLUMN CLAMP UPPER**16. REMOVE IGNITION SWITCH LOCK CYLINDER ASSY**

- (a) Place the ignition switch lock cylinder assy at the ACC position.
- (b) Push down the stop pin with a screwdriver, and pull out the cylinder assy.

**17. REMOVE UN-LOCK WARNING SWITCH ASSY**

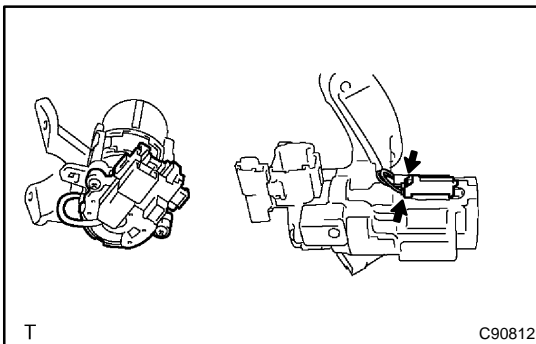
- (a) Disconnect the un-lock warning switch assy connector from the ignition or starter switch assy.
- (b) Remove the un-lock warning switch assy.

18. REMOVE IGNITION OR STARTER SWITCH ASSY

- (a) Remove the 2 screws and ignition or starter switch assy from the steering column bracket assy.

19. INSTALL IGNITION OR STARTER SWITCH ASSY

- (a) Install the ignition or starter switch assy to the steering column bracket assy with the 2 screws.

**20. INSTALL UN-LOCK WARNING SWITCH ASSY**

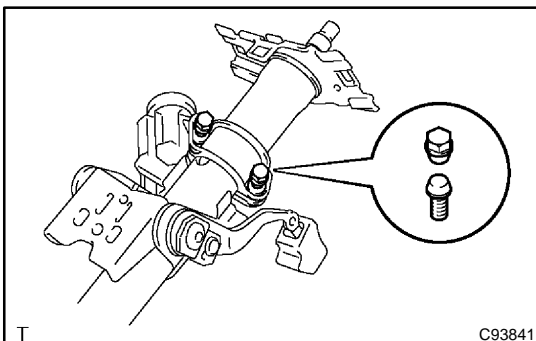
- (a) Install the un-lock warning switch assy.
- (b) Connect the un-lock warning switch assy connector to the ignition or starter switch assy.

21. INSTALL IGNITION SWITCH LOCK CYLINDER ASSY

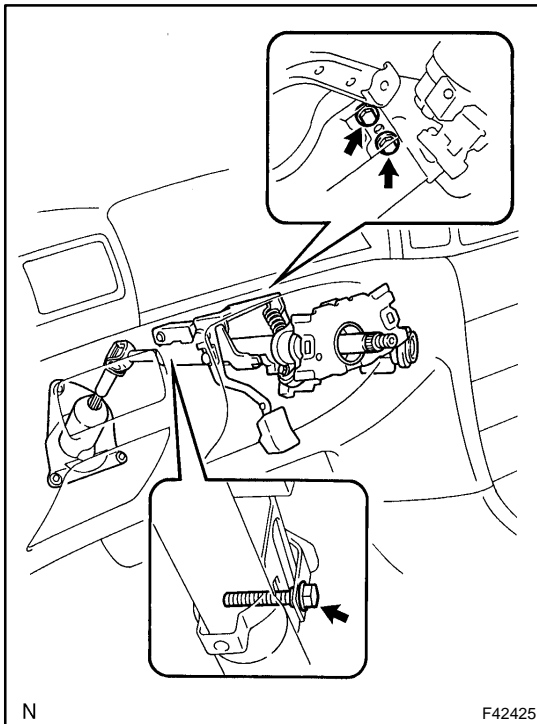
- (a) Make sure that the ignition switch lock cylinder assy is at the ACC position.
- (b) Install the ignition switch lock cylinder assy.

22. INSPECT STEERING LOCK OPERATION

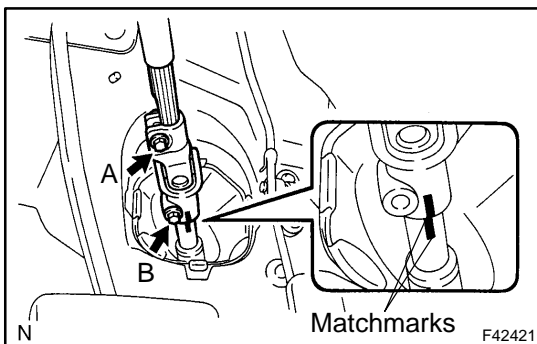
- (a) Check that the steering lock mechanism is activated when removing the key.
- (b) Check that the steering lock mechanism is deactivated when inserting the key and turning it to ACC position.

**23. INSTALL STEERING COLUMN UPPER W/SWITCH BRACKET ASSY**

- (a) Temporarily install the steering column upper w/switch bracket assy and steering column upper clamp with 2 new tapered-head bolts.
- (b) Tighten the 2 tapered-head bolts until the bolt heads break off.

**24. INSTALL STEERING COLUMN ASSY**

- (a) Install the steering column assy with the 3 bolts.
Torque: 21 N·m (210 kgf-cm, 15 ft·lbf)
- (b) Connect the connectors and wire harness clamps.

**25. CONNECT STEERING INTERMEDIATE SHAFT**

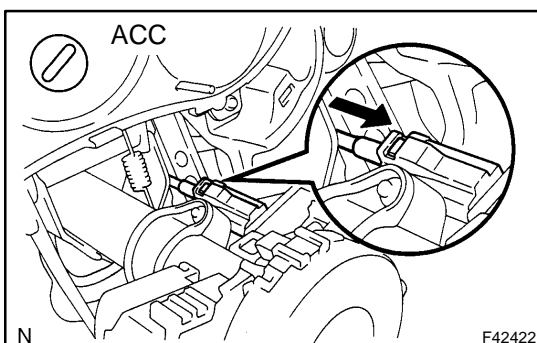
- (a) Align the matchmarks on the sliding yoke and steering intermediate shaft.
- (b) Install the bolt B and torque the bolt A.
Torque: 35 N·m (360 kgf-cm, 26 ft·lbf)

26. INSTALL COLUMN HOLE COVER SILENCER SHEET**27. INSTALL WINDSHIELD WIPER SWITCH ASSY**

- (a) Install the windshield wiper switch assy and connect the connector.

28. INSTALL HEADLAMP DIMMER SWITCH ASSY

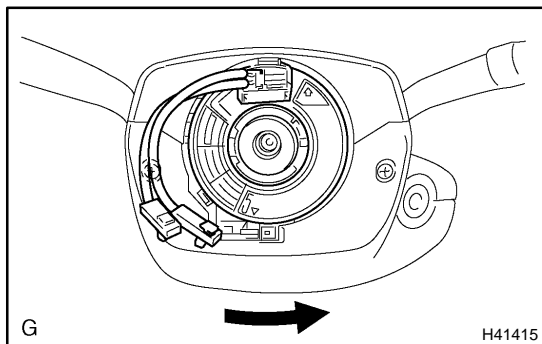
- (a) Install the headlamp dimmer switch assy and connect the connector.

29. PLACE FRONT WHEELS FACING STRAIGHT AHEAD**30. INSTALL SPIRAL CABLE SUB-ASSY****31. CONNECT FLOOR SHIFT PARKING LOCK CABLE ASSY (A/T TRANSAXLE)**

- (a) With the key in ACC, push into the floor shift parking lock cable and install it.

32. CONNECT CHECK KEY INTERLOCK OPERATION**33. INSTALL COVER SET STEERING COLUMN**

- (a) Install the steering column cover with the 3 screws.

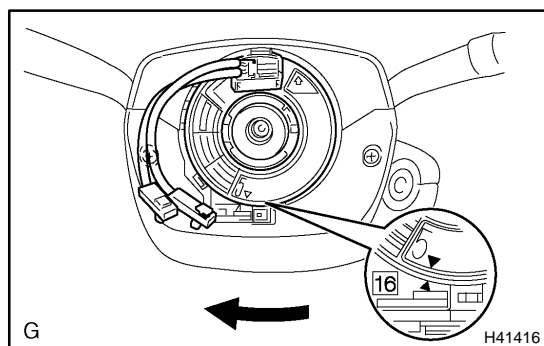
**34. CENTER SPIRAL CABLE**

- (a) Check that the ignition switch is at OFF.
 (b) Check that the battery negative terminal is disconnected.

NOTICE:

Do not start the operation for 90 seconds after removing the terminal.

- (c) Turn the cable counterclockwise by hand until it becomes harder to turn.



- (d) Then rotate the cable clockwise about 2.5 turns to align the marks.

HINT:

The cable will rotate about 2.5 turns to either right or left of the center.

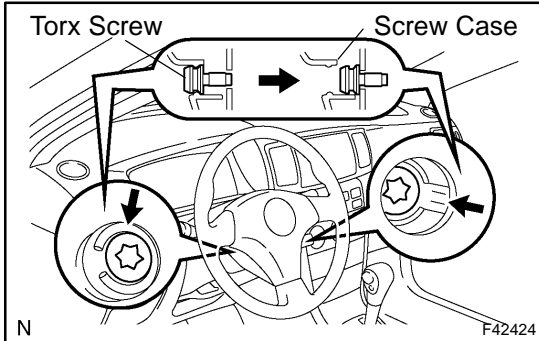
35. INSTALL STEERING WHEEL ASSY

- (a) Align the matchmark with the one on the steering wheel assy and steering main shaft assy.
 (b) Install the steering wheel assy with the set nut.
Torque: 50 N·m (510 kgf·cm, 37 ft·lbf)
 (c) Connect the connector.

36. INSPECT HORN BUTTON ASSY (See page 60-8)**37. INSTALL HORN BUTTON ASSY****NOTICE:**

- Never use the airbag parts removed from another vehicle. When replacing parts, replace with new ones.
- Make sure that the horn button assy is installed to the specified torque.
- If the horn button assy has been dropped, or there are cracks, dents or other defects in the case or connector, replace the horn button assy with a new one.
- When installing the horn button assy, take care so that the wirings do not interfere with other parts and that they are not pinched between other parts.

- (a) Connect the 2 airbag connectors.
- (b) Install the horn button assy after confirming that the circumference groove of the torx screws is caught on the screw case.



- (c) Using a torx socket wrench, torque the 2 torx screws.
Torque: 8.8 N·m (90 kgf·cm, 78 in·lbf)

38. STEERING WHEEL CENTER POINT

39. INSPECT SRS WARNING LIGHT (See page [05-424](#))