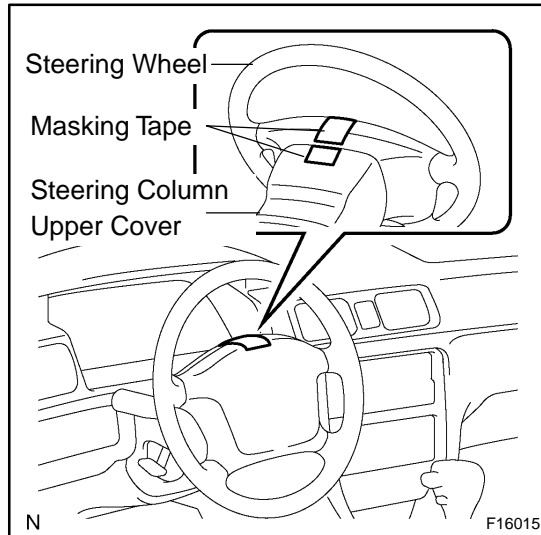
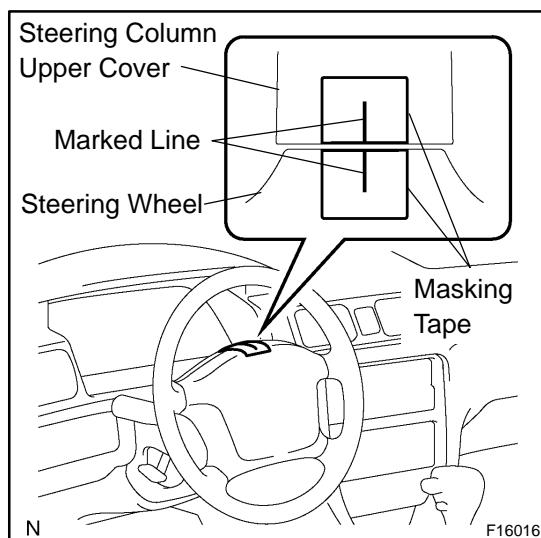


REPAIR

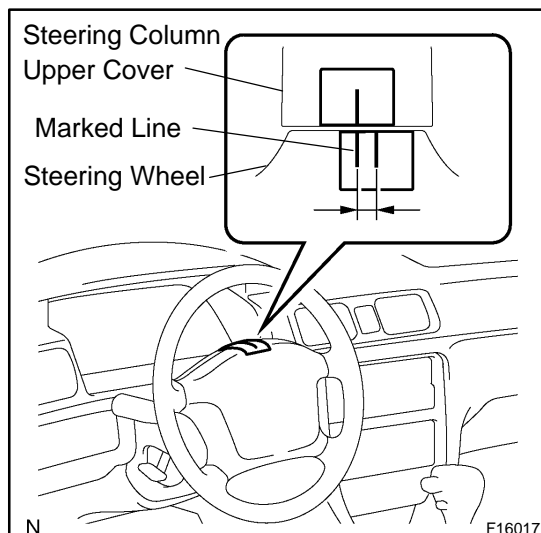


1. STEERING OFF CENTER REPAIR PROCEDURE

- (a) Inspect steering wheel off center.
- (1) Apply masking tape on the top center of the steering wheel and steering column upper cover.
 - (2) Driving the vehicle on a straight line for 100 meters at a constant speed of 35 mph (56 km/h), and hold the steering wheel to maintain the course.



- (3) Draw a line on the masking tape as shown in the illustration.



- (4) Turn the steering wheel to its straight position.

HINT:

Refer to the upper surface of the steering wheel, steering spoke and SRS airbag line for the straight position.

- (5) Draw a new line on the masking tape or the steering wheel as shown in the illustration.
- (6) Measure the distance between the 2 lines on the masking tape of the steering wheel.

- (7) Convert the measured distance to steering angle.
Measured distance 1 mm (0.04 in.) = Steering angle approximately 1 deg.

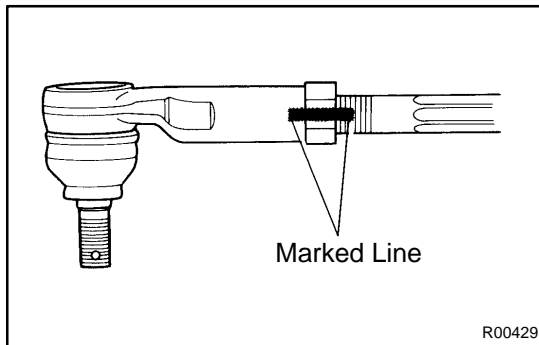
HINT:

Make a note of the steering angle.

- (b) Adjust steering angle.

NOTICE:

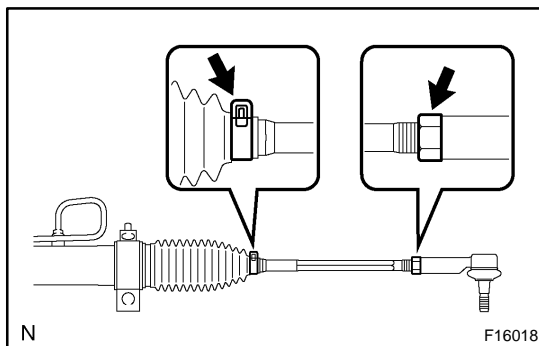
The adjustment method for steering angle varies depending on the models. Check whether it is type A or B.



- (1) Draw a line on the RH and LH tie rod and rack ends where it can easily be seen.
- (2) Using a paper gauge, measure the distance from RH and LH tie rod ends to the rack end screws.

HINT:

- Measure the RH side and LH side.
- Make a note of the measured values.



- (3) Remove the RH and LH boot clips from the rack boots.
- (4) Loosen the RH and LH lock nuts.
- (5) Turn the RH and LH rack end by the same amount (but in different directions) according to the steering angle.

1 turn 360 deg. of rack end (1.5 mm (0.059 in.) horizontal movement) – 12 deg. of steering angle.

- (6) Tighten the RH and LH lock nuts by the specified torque.

Torque: 74 N·m (750 kgf·cm, 54 ft·lbf)

NOTICE:

Make sure that the difference in length between RH and LH tie rod ends and rack end screws are within 1.5 mm (0.059 in.).

- (7) Install the RH and LH boot clips.