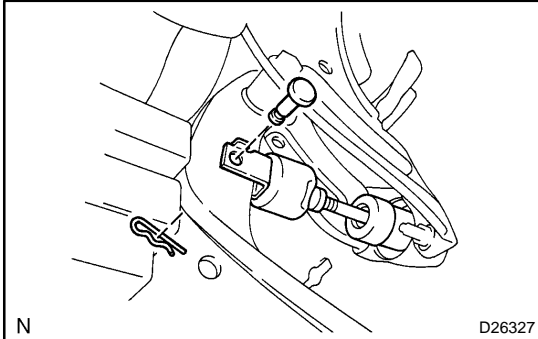
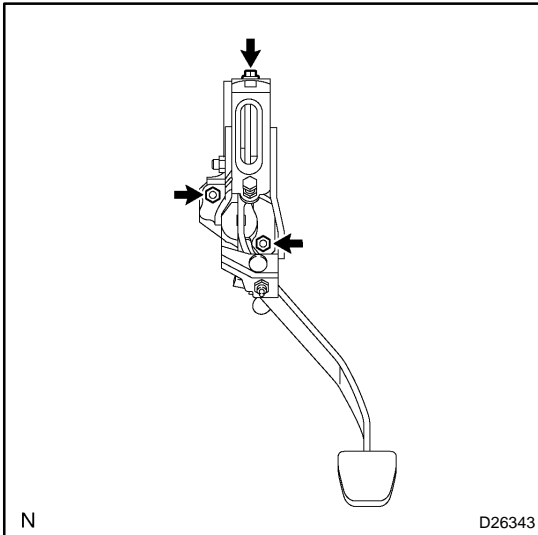


## REPLACEMENT

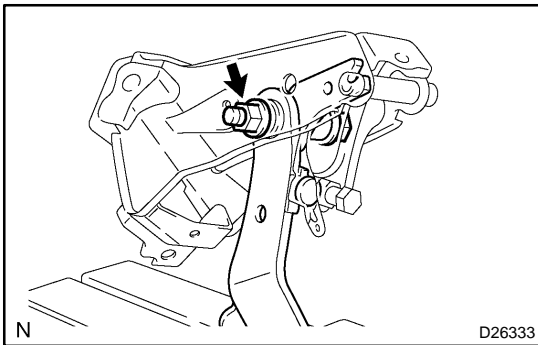
1. REMOVE INSTRUMENT PANEL SUB-ASSY LOWER (See page 71-10)
2. REMOVE CLUTCH PEDAL SPRING



3. REMOVE CLUTCH MASTER CYLINDER PUSH ROD CLEVIS W/HOLE PIN
  - (a) Remove the clip and hole pin.

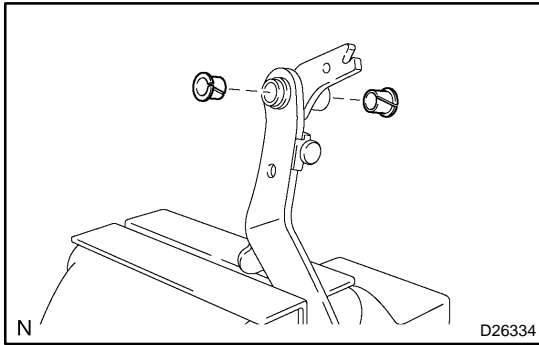


4. REMOVE CLUTCH PEDAL SUPPORT SUB-ASSY
  - (a) w/ Cruise control:  
Disconnect the clutch switch assy connector.
  - (b) Disconnect the clutch start switch assy connector.
  - (c) Remove the 2 nuts, bolt and clutch pedal support assy.

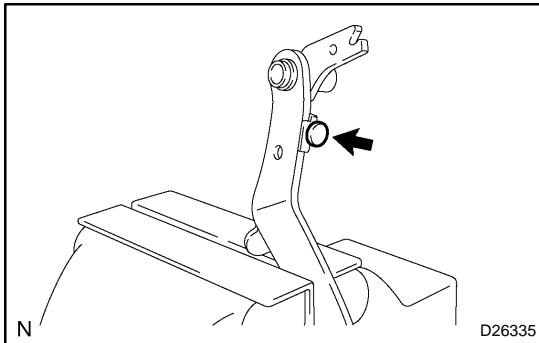


5. REMOVE CLUTCH PEDAL SUB-ASSY
  - (a) Remove the bolt and nut.
  - (b) Remove the clutch pedal sub-assy from the clutch pedal support.

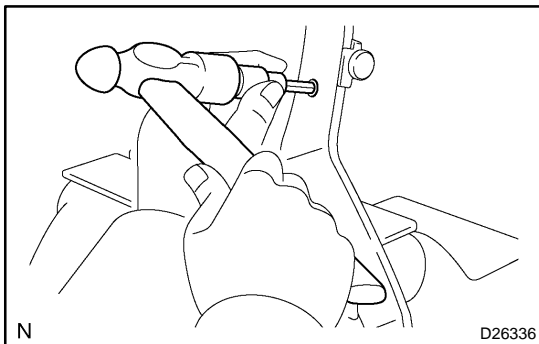
6. REMOVE CLUTCH PEDAL PAD

**7. REMOVE CLUTCH PEDAL BUSH**

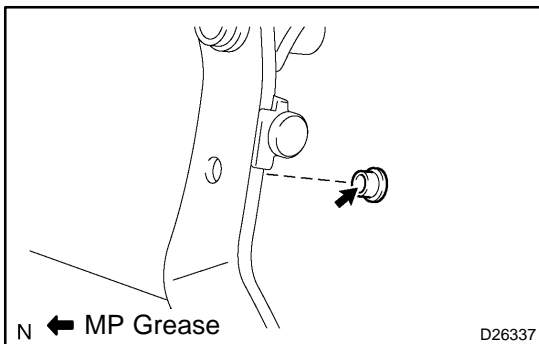
- (a) Remove the 2 bushes from the clutch pedal.

**8. REMOVE CLUTCH PEDAL NO.1 CUSHION**

- (a) Using needle-nose pliers, remove the No.1 cushion from the clutch pedal.

**9. REMOVE CLUTCH MASTER CYLINDER PUSH ROD CLEVIS BUSH**

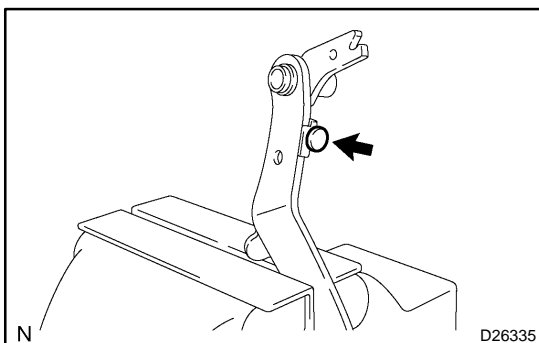
- (a) Using a 8 mm hexagon wrench and a hammer, remove the clevis bush from the clutch pedal sub-assy.

**10. INSTALL CLUTCH MASTER CYLINDER PUSH ROD CLEVIS BUSH**

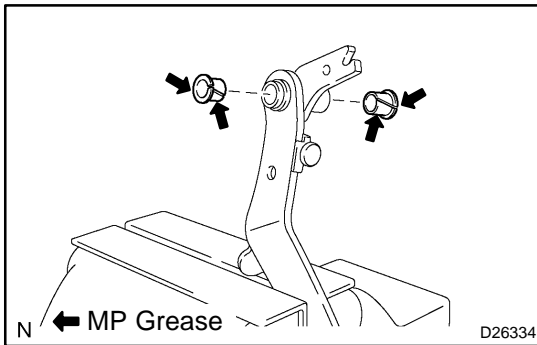
- (a) Apply MP grease to inside of a new clevis bush.  
 (b) Install the clevis bush to the clutch pedal.

HINT:

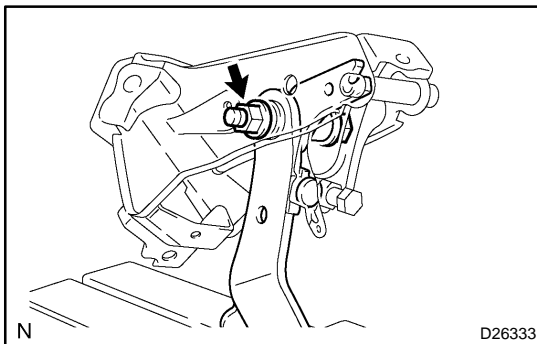
Install the clevis bush from the right side of the vehicle.

**11. INSTALL CLUTCH PEDAL NO.1 CUSHION**

- (a) Using needle-nose pliers, install the No.1 cushion to the clutch pedal.

**12. INSTALL CLUTCH PEDAL BUSH**

- (a) Apply MP grease to both side of 2 new bushes.
- (b) Install the 2 bushes to the clutch pedal.

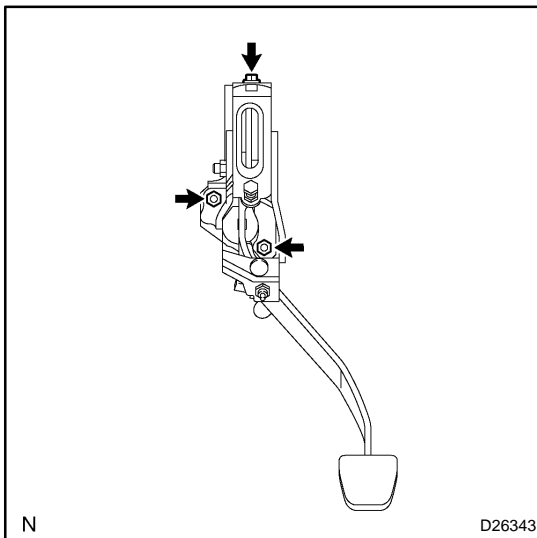
**13. INSTALL CLUTCH PEDAL PAD****14. INSTALL CLUTCH PEDAL SUB-ASSY**

- (a) Install the clutch pedal sub-assy to the clutch pedal support with the bolt and nut.

**Torque: 36.8 N·m (375 kgf·cm, 27 ft·lbf)**

**HINT:**

Install the bolt from the right side of the vehicle.

**15. INSTALL CLUTCH PEDAL SUPPORT SUB-ASSY**

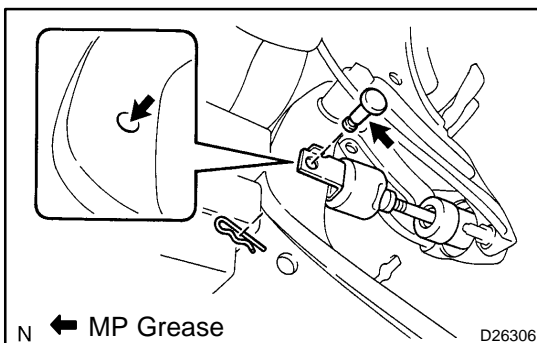
- (a) Install the clutch pedal support to the vehicle with the 2 nuts and bolt.

**Torque:**

**Bolt: 19.1 N·m (195 kgf·cm, 14 ft·lbf)**

**Nut: 11.8 N·m (120 kgf·cm, 9 ft·lbf)**

- (b) Connect the clutch start switch assy connector.
- (c) w/ Cruise control:  
Connect the clutch switch assy connector.

**16. INSTALL CLUTCH MASTER CYLINDER PUSH ROD CLEVIS W/HOLE PIN**

- (a) Apply MP grease to the contact surface of the hole pin and clevis bush.
- (b) Connect the clevis to the clutch pedal sub-assy with the hole pin.

**HINT:**

Install the hole pin from the right side of the vehicle.

- (c) Install the clip to the hole pin.

17. **INSTALL CLUTCH PEDAL SPRING**
18. **INSTALL INSTRUMENT PANEL SUB-ASSY LOWER**
19. **INSPECT SRS WARNING LIGHT (See page [05-424](#))**
20. **INSPECT AND ADJUST CLUTCH PEDAL SUB-ASSY (See page [42-2](#))**