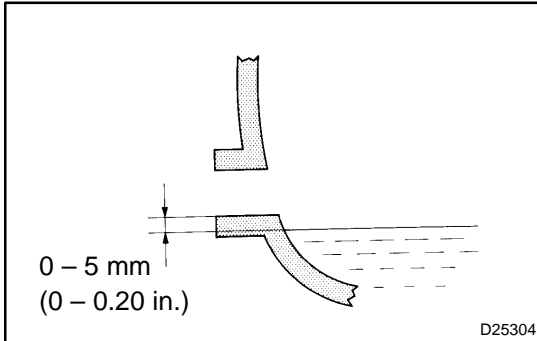


MANUAL TRANSAXLE OIL ON-VEHICLE INSPECTION

41076-01



1. INSPECT TRANSAXLE OIL

- (a) Stop the vehicle on the level place.
- (b) Remove the transmission filler plug and gasket.
- (c) Check that the oil surface is within 5 mm (0.20 in.) from the lowest position of the inner surface of the transmission filler plug opening.

NOTICE:

- **Excessively large or small amount of oil may cause troubles.**
- **After replacing oil, drive the vehicle and check the oil level.**

- (d) Check for oil leakage when the oil level is low.
- (e) Install the transmission filler plug and new gasket.

Torque: 39.2 N·m (400 kgf·cm, 29 ft·lbf)