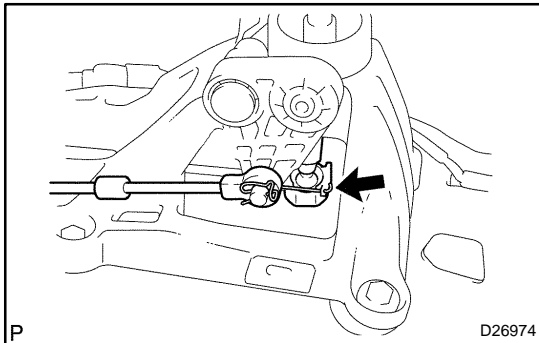


REPLACEMENT

HINT:

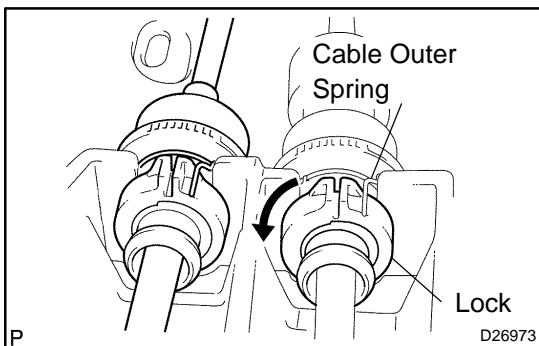
COMPONENTS: See page 41-5

1. REMOVE FLOOR SHIFT SHIFT LEVER KNOB SUB-ASSY
2. REMOVE CONSOLE PANEL UPPER (See page 71-10)
3. REMOVE PARKING BRAKE HOLE COVER SUB-ASSY (See page 71-10)
4. REMOVE CONSOLE BOX SUB-ASSY REAR (See page 71-10)

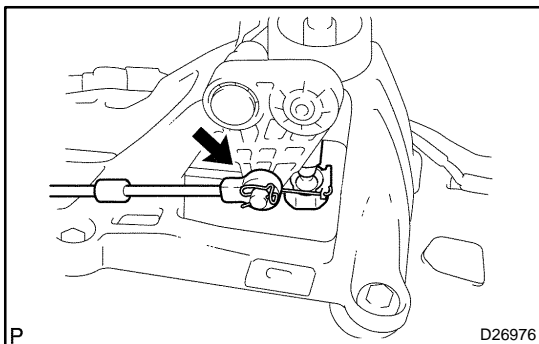


5. SEPARATE FLOOR SHIFT CABLE TRANSMISSION CONTROL SHIFT

- (a) Separate the end of the shift cable from the shift lever assy.

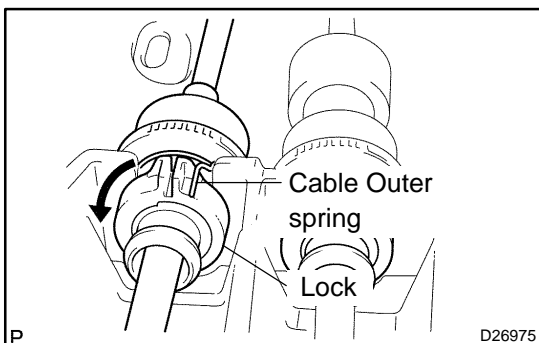


- (b) Using a screwdriver, release the cable outer spring.
- (c) Turn the lock, separate the shift cable from the shift lever retainer.

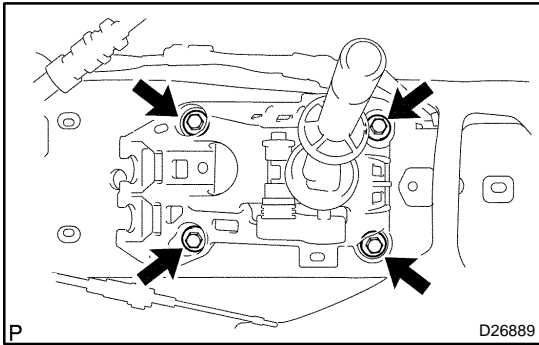


6. SEPARATE FLOOR SHIFT CABLE TRANSMISSION CONTROL SELECT

- (a) Separate the end of the select cable from the shift lever assy.

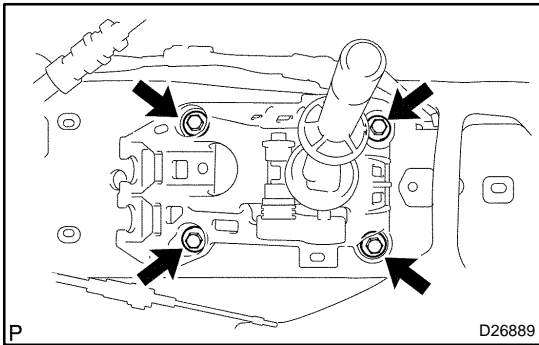


- (b) Using a screwdriver, release the cable outer spring.
- (c) Turn the lock, separate the select cable from the shift lever retainer.



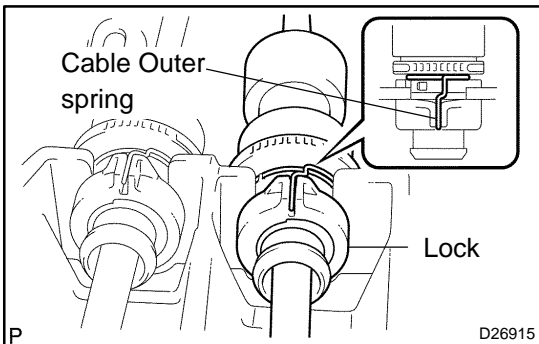
7. REMOVE FLOOR SHIFT SHIFT LEVER ASSY

- (a) Remove the 4 bolts and shift lever assy.



8. INSTALL FLOOR SHIFT SHIFT LEVER ASSY

- (a) Install the shift lever assy with the 4 bolts.
Torque: 12 N·m (120 kgf·cm, 9 ft·lbf)



9. CONNECT FLOOR SHIFT CABLE TRANSMISSION CONTROL SHIFT

- (a) Connect the shift cable to the retainer of shift lever assy, turn the lock.

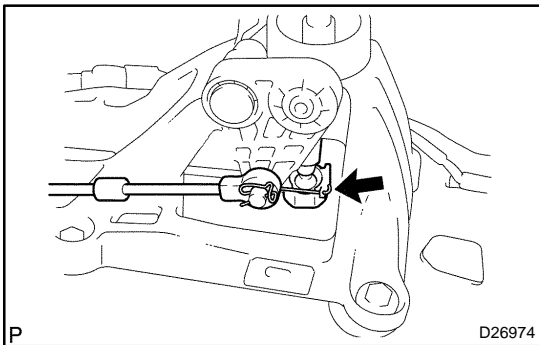
NOTICE:

The projecting part of the lock should face upward when the shift cable is installed.

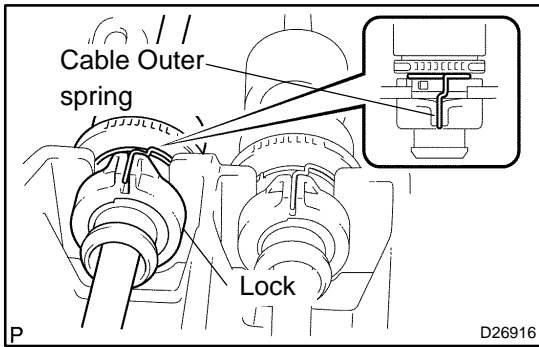
- (b) Install the cable outer spring to the lock.

NOTICE:

Make sure that after installation the cable outer spring is moved to the place shown in the illustration.



- (c) Connect the end of the shift cable to the shift lever assy.



10. CONNECT FLOOR SHIFT CABLE TRANSMISSION CONTROL SELECT

- (a) Connect the select cable to the retainer of shift lever assy, turn the lock.

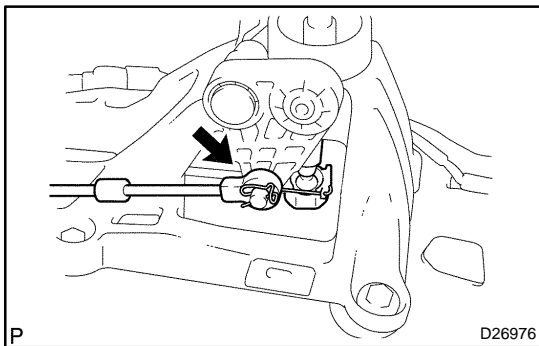
NOTICE:

The projecting part of the lock should face upward when the select cable is installed.

- (b) Install the cable outer spring to the lock.

NOTICE:

Make sure that after installation the cable outer spring is moved to the place shown in the illustration.



- (c) Connect the end of the select cable to the shift lever assy.