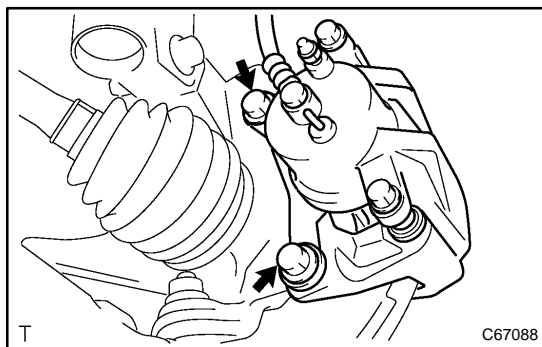


REPLACEMENT

HINT:

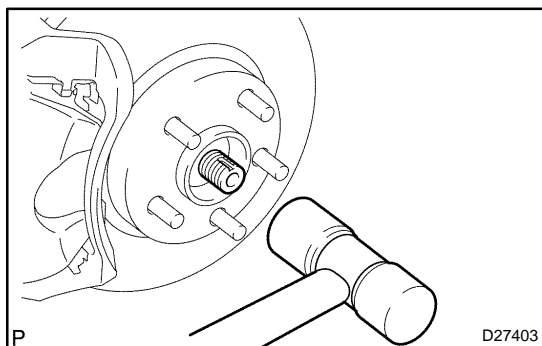
COMPONENTS: See page 30-16

1. REMOVE FRONT WHEEL
2. REMOVE FRONT AXLE HUB LH NUT (See page 30-6)
SST 09930-00010
3. SEPARATE FRONT STABILIZER LINK ASSY LH (See page 30-6)
4. SEPARATE SPEED SENSOR FRONT LH (W/ ABS) (See page 30-6)



5. SEPARATE FRONT DISC BRAKE CALIPER ASSY LH
 - (a) Remove the 2 bolts, separate the brake caliper assy LH from the steering knuckle.

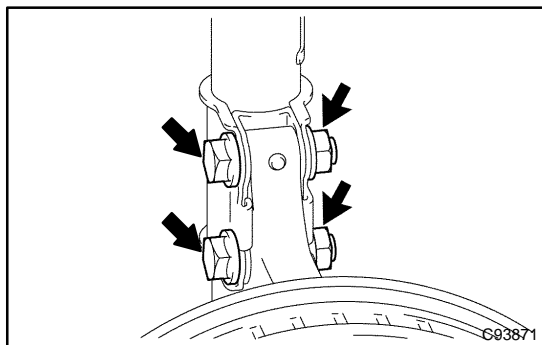
6. REMOVE FRONT DISC
7. SEPARATE TIE ROD END SUB-ASSY LH (See page 30-6)
SST 09628-62011
8. SEPARATE FRONT SUSPENSION ARM SUB-ASSY LOWER NO.1 LH (See page 30-6)



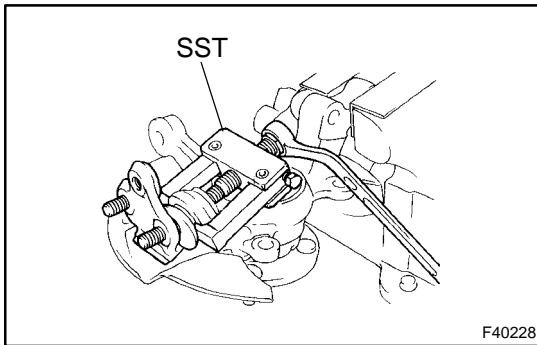
9. REMOVE FRONT AXLE ASSY LH
 - (a) Using a plastic hammer, separate the front drive shaft assy LH from the axle hub.

NOTICE:

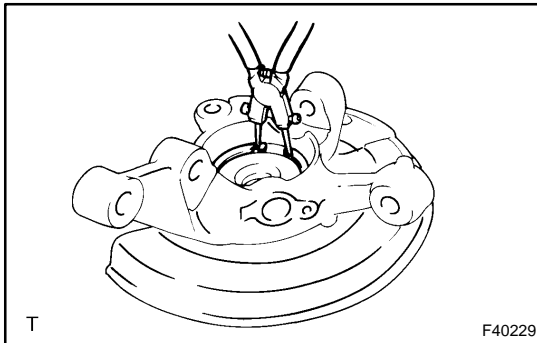
- Be careful not to damage the boot.
- w/ ABS:
Be careful not to damage the speed sensor rotor.



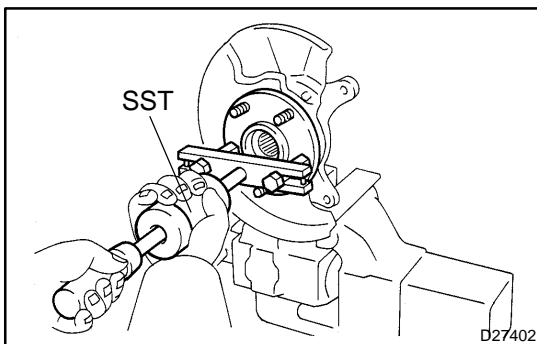
- (b) Remove the 2 bolts, nuts and front axle assy LH.



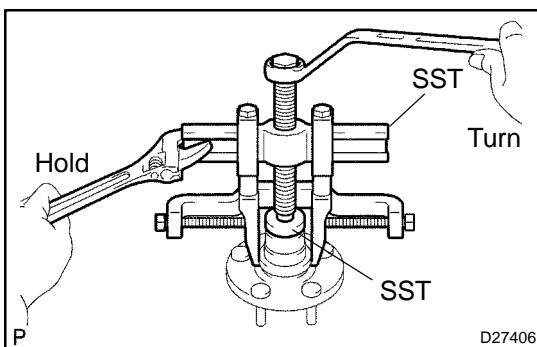
- 10. REMOVE LOWER BALL JOINT ASSY FRONT LH**
- Remove the cotter pin and nut.
 - Using SST, remove the lower ball joint assy front LH.
SST 09628-62011



- 11. REMOVE FRONT AXLE HUB LH HOLE SNAP RING**
- Using a snap ring pliers, remove the LH hole snap ring.



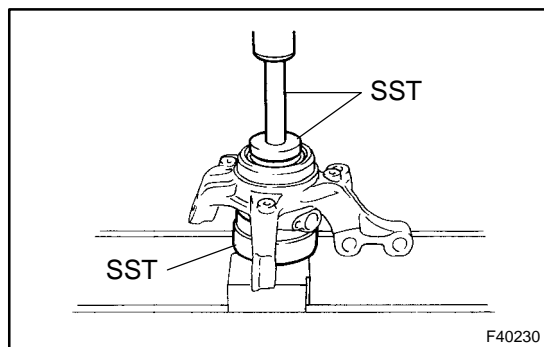
- 12. REMOVE FRONT AXLE HUB SUB-ASSY LH**
- Using SST, remove the hub sub-assy LH.
SST 09520-00031



- Using SST, remove the inner race of hub LH bearing from the hub sub-assy LH.
SST 09950-40011 (09951-04020, 09952-04010, 09953-04030, 09954-04010, 09955-04061, 09957-04010, 09958-04011), 09950-60010 (09951-00370)

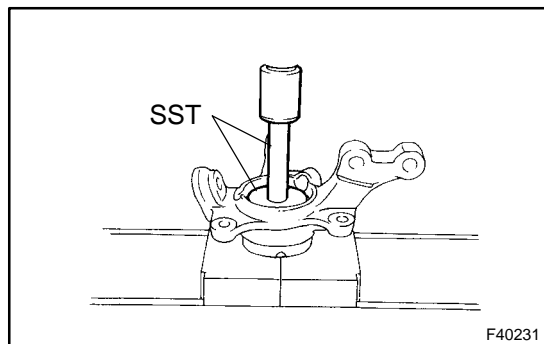
13. REMOVE DISC BRAKE DUST COVER FRONT LH

- Remove the 3 bolts and dust cover front LH.

**14. REMOVE FRONT AXLE HUB LH BEARING**

- (a) Place the inner race of hub LH bearing on the outer race of hub LH bearing.
- (b) Using SST and a press, remove the hub LH bearing from the steering knuckle.

SST 09527-17011, 09950-60010 (09951-00640),
09950-70010 (09951-07100)

**15. INSTALL FRONT AXLE HUB LH BEARING**

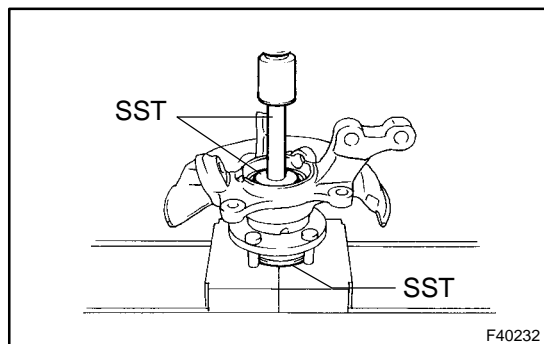
- (a) Using SST and a press, install a new hub LH bearing to the steering knuckle.

SST 09950-60020 (09951-00720), 09950-70010
(09951-07100)

16. INSTALL DISC BRAKE DUST COVER FRONT LH

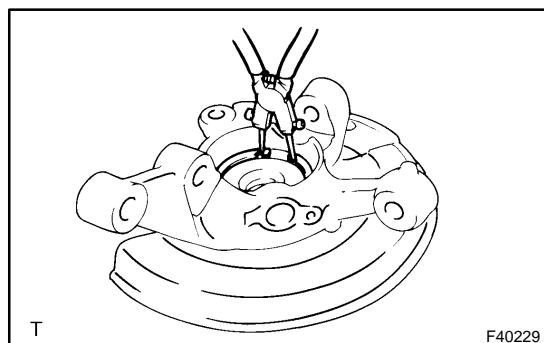
- (a) Install the dust cover front LH with the 3 bolts.

Torque: 8.3 N·m (85 kgf·cm, 73 in·lbf)

**17. INSTALL FRONT AXLE HUB SUB-ASSY LH**

- (a) Using SST and a press, install the hub sub-assy LH.

SST 09608-32010, 09950-60010 (09951-00600),
09950-70010 (09951-07100)

**18. INSTALL FRONT AXLE HUB LH HOLE SNAP RING**

- (a) Using snap ring pliers, install a new LH hole snap ring.

19. INSTALL LOWER BALL JOINT ASSY FRONT LH

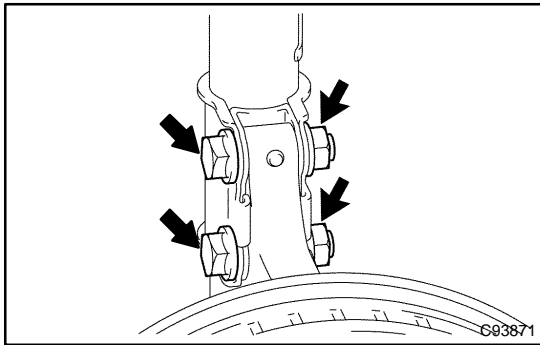
- (a) Install the lower ball joint assy front LH, torque the nut.

Torque: 103 N·m (1,050 kgf·cm, 76 ft·lbf)

- (b) Install a new cotter pin.

NOTICE:

If the holes for the cotter pin are not aligned, tighten the nut further up to 60°.

**20. INSTALL FRONT AXLE ASSY LH**

- (a) Install the 2 bolts, nuts and front axle assy LH to the shock absorber.

Torque: 153 N·m (1,560 kgf·cm, 113 ft·lbf)

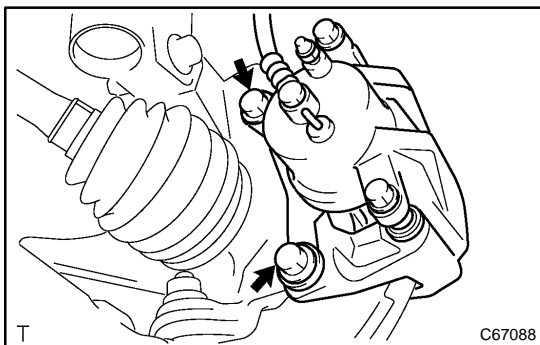
NOTICE:

Only when reusing the bolts and nuts, apply engine oil to the screw part of the nuts.

- (b) Push the front axle assy toward the outside of the vehicle, fit the splined part of the drive shaft assy to that of the front axle assy, insert the drive shaft assy into the front axle assy.

NOTICE:

- **Do not push out the front axle assy excessively.**
- **Be careful not to damage the drive shaft outboard joint boot.**
- **w/ ABS:**
Be careful not to damage the speed sensor rotor.

21. INSTALL FRONT SUSPENSION ARM SUB-ASSY LOWER NO.1 LH (See page 30-6)**22. INSTALL TIE ROD END SUB-ASSY LH (See page 30-6)****23. INSTALL FRONT STABILIZER LINK ASSY LH (See page 30-6)****24. INSTALL FRONT DISC****25. INSTALL FRONT DISC BRAKE CALIPER ASSY LH**

- (a) Install the brake caliper assy LH with the 2 bolts to the steering knuckle.

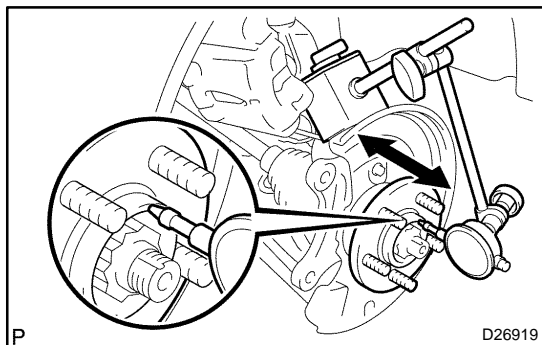
Torque: 106.8 N·m (1,089 kgf·cm, 79 ft·lbf)

26. INSTALL FRONT AXLE HUB LH NUT

- (a) Using a socket wrench (30 mm), install a new hub LH nut.

Torque: 216 N·m (2,203 kgf·cm, 159 ft·lbf)

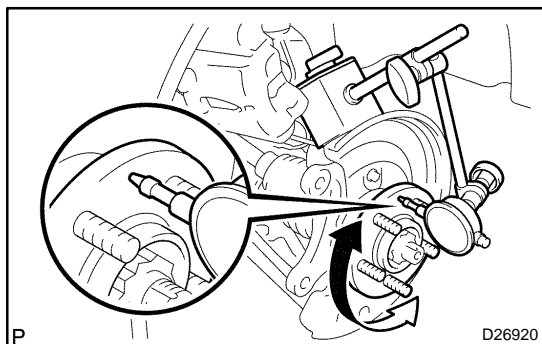
27. SEPARATE FRONT DISC BRAKE CALIPER ASSY LH**28. REMOVE FRONT DISC**

**29. INSPECT BEARING BACKLASH**

- (a) Using a dial indicator, check the backlash near the center of the axle hub.

Maximum: 0.05 mm (0.0020 in.)

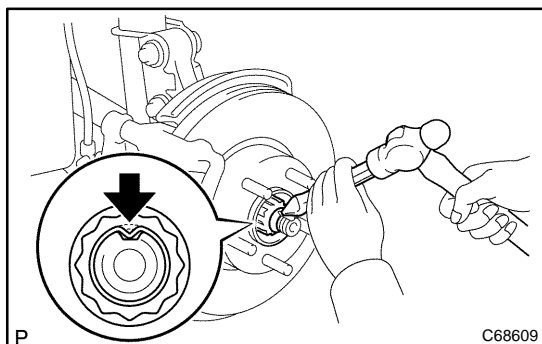
If the backlash exceeds the maximum, replace the front axle hub bearing.

**30. INSPECT AXLE HUB DEVIATION**

- (a) Using a dial indicator, check the deviation at the surface of the axle hub outside the hub bolt.

Maximum: 0.05 mm (0.0020 in.)

If the backlash exceeds the maximum, replace the front axle hub sub-assy.

31. INSTALL FRONT DISC**32. INSTALL FRONT DISC BRAKE CALIPER ASSY LH****33. INSTALL SPEED SENSOR FRONT LH (W/ ABS) (See page 30-6)****34. INSTALL FRONT AXLE HUB LH NUT**

- (a) Using a chisel and a hammer, stake the hub LH nut.

35. INSTALL FRONT WHEEL

Torque: 103 N·m (1,050 kgf·cm, 76 ft·lbf)

36. INSPECT AND ADJUST FRONT WHEEL ALIGNMENT (See page 26-5)**37. CHECK ABS SPEED SENSOR SIGNAL (W/ ABS) (See page 05-297)**