

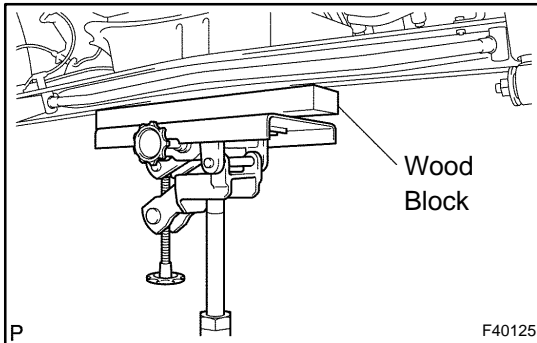
# REAR SHOCK ABSORBER WITH COIL SPRING OVERHAUL

2707R-01

HINT:

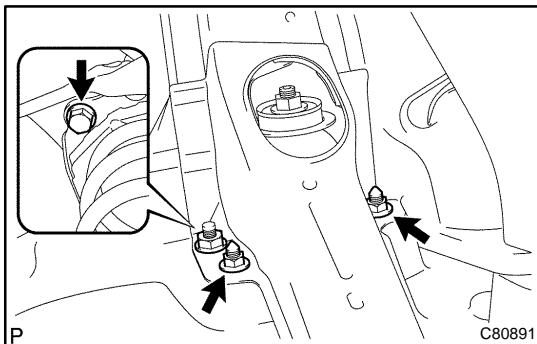
COMPONENTS: See page 27-2

1. REMOVE REAR WHEEL
2. REMOVE SPARE WHEEL COVER ASSY
3. REMOVE REAR FLOOR FINISH PLATE(See page 76-21)
4. REMOVE LUGGAGE COMPARTMENT TRIM COVER INNER LH(See page 76-21)

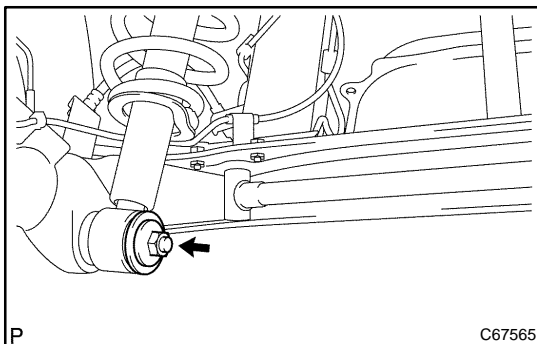


## 5. REMOVE REAR SHOCK ABSORBER WITH COIL SPRING

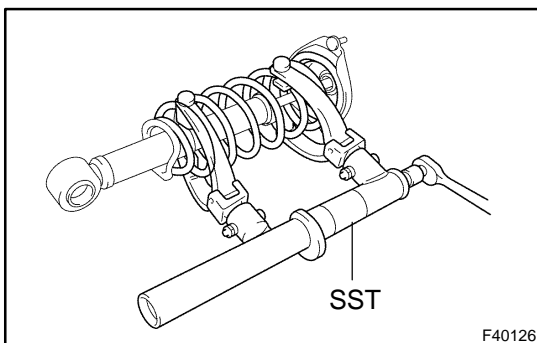
- (a) Support the rear axle beam with jack.



- (b) Remove the 2 nuts and bolt.



- (c) Remove the nut, washer and shock absorber.

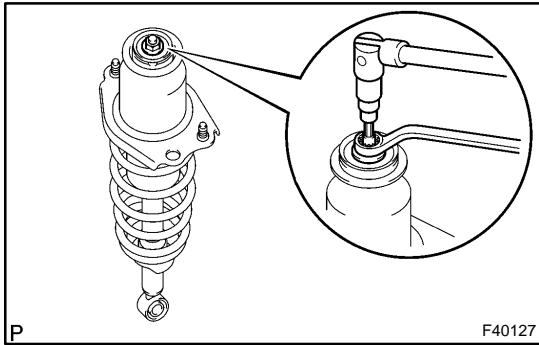


## 6. REMOVE SHOCK ABSORBER ASSY REAR LH

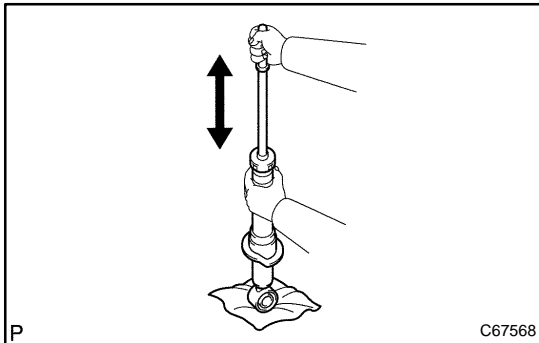
- (a) Using SST, compress the coil spring.  
SST 09727-30021

**NOTICE:**

Do not use an impact wrench. It will damage the SST.



- (b) Using a 6 mm hexagon wrench to hold the piston rod, remove the nut.
- (c) Remove the support plate, cushion, spring bracket, upper insulator, suspension support, spring bumper and coil spring.



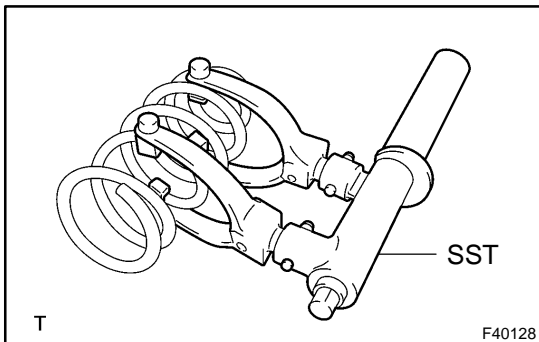
**7. INSPECT SHOCK ABSORBER ASSY REAR LH**

- (a) Compress and extend the shock absorber rod and check that there is no abnormal resistance or unusual sound during operation.

If there is any abnormality, replace the shock absorber with a new one.

**NOTICE:**

**When disposing the shock absorber, see DISPOSAL on page 27-7.**

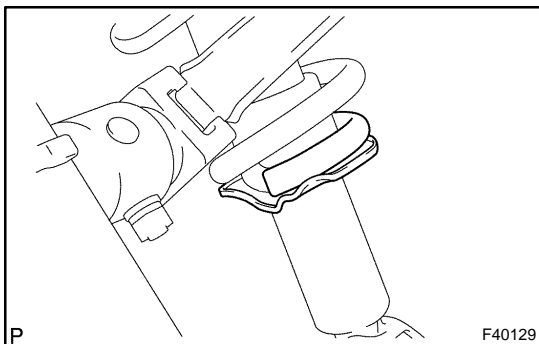


**8. INSTALL SHOCK ABSORBER ASSY REAR LH**

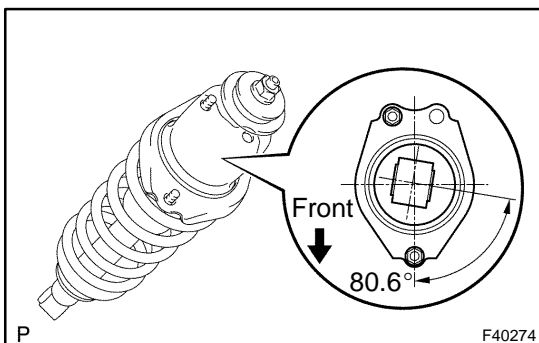
- (a) Using SST, compress the coil spring.  
SST 09727-30021

**NOTICE:**

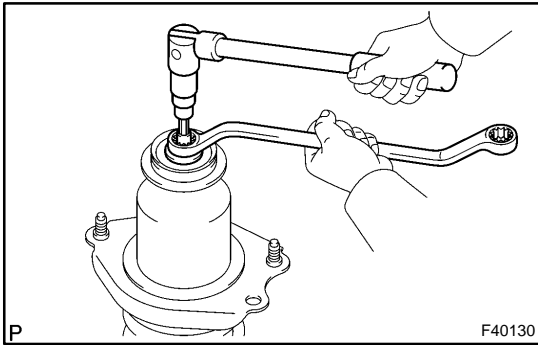
**Do not use an impact wrench. It will damage the SST.**



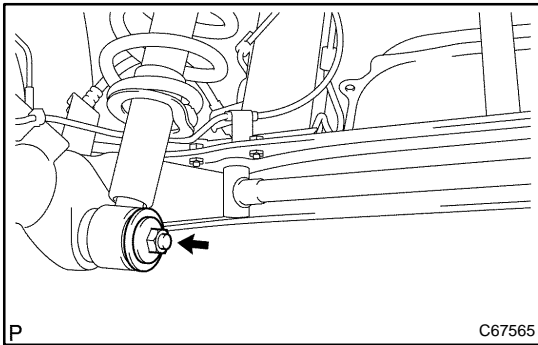
- (b) Insert the coil spring to the shock absorber.
- HINT:**  
Fit the lower end of the coil spring into the gap of the spring lower seat.
- (c) Install the spring bumper and suspension support.
  - (d) Set the upper insulator to the spring bracket.



- (e) Position the spring bracket with upper insulator as shown in the illustration.
- HINT:**  
Place the RH side on the symmetric position to the illustration.
- (f) Install the cushion and support plate.
  - (g) Temporarily tighten a new center nut.
  - (h) Remove the SST.  
SST 09727-30021
  - (i) Recheck the direction of the spring bracket.

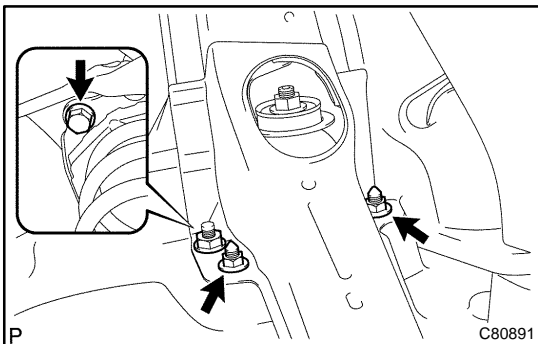


- (j) Using a 6 mm hexagon wrench to hold the piston rod, tighten a new nut.  
**Torque: 56 N·m (571 kgf·cm, 41 ft·lbf)**



## 9. INSTALL REAR SHOCK ABSORBER WITH COIL SPRING

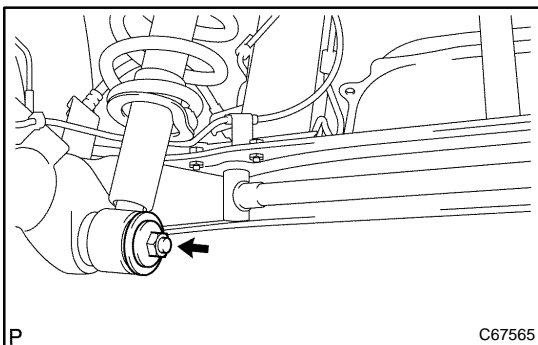
- (a) Install the shock absorber, temporary tighten the nut and washer.



- (b) Install the 2 nuts and bolt.  
**Torque: 80 N·m (816 kgf·cm, 59 ft·lbf)**

## 10. STABILIZE SUSPENSION

- (a) Install the rear wheel and jack down the vehicle.  
**Torque: 103 N·m (1,050 kgf·cm, 76 ft·lbf)**
- (b) Bounce the vehicle up and down several times to stabilize the suspension.



## 11. FULLY TIGHTEN REAR SHOCK ABSORBER WITH COIL SPRING

- (a) Fully tighten the nut.  
**Torque: 80 N·m (816 kgf·cm, 59 ft·lbf)**

## 12. INSPECT REAR WHEEL ALIGNMENT(See page 27-3)