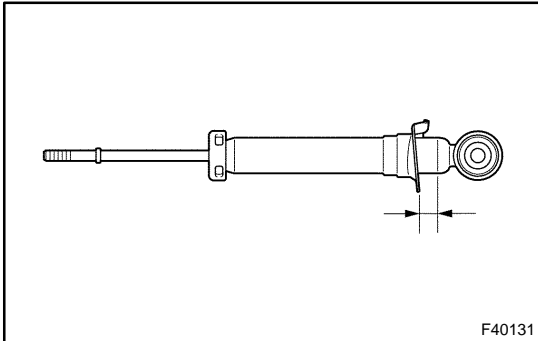


## DISPOSAL



### 1. DISPOSE SHOCK ABSORBER ASSY REAR LH

- (a) Fully extend the shock absorber rod.
- (b) Using a drill, make a hole in the cylinder as shown in the illustration to discharge the gas inside.

#### CAUTION:

- When drilling, chips may fly out, work carefully.
- The gas is colorless, odorless and non-poisonous.