

# REAR AXLE BEAM ASSY REPLACEMENT

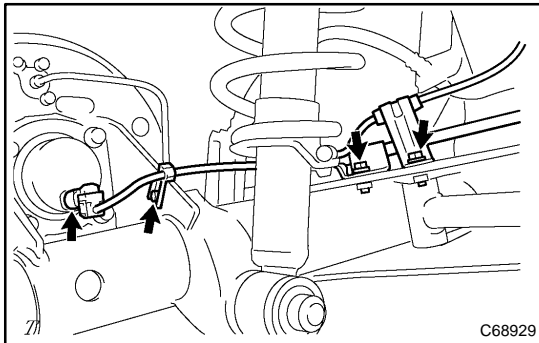
2707S-02

HINT:

COMPONENTS: See page 27-2

**1. REMOVE REAR WHEEL**

(a) Remove the RH and LH rear wheels.

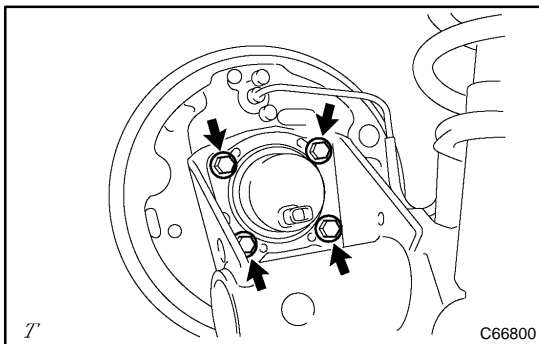
**2. REMOVE REAR BRAKE DRUM SUB-ASSY(See page 32-31)****3. SEPARATE SKID CONTROL SENSOR WIRE**

(a) Disconnect the skid control sensor connector.

(b) Remove the 2 bolts and separate the wire harness clamps.

(c) Remove the bolt and separate parking brake cable clamp.

(d) Using the same manner described above to the other side.

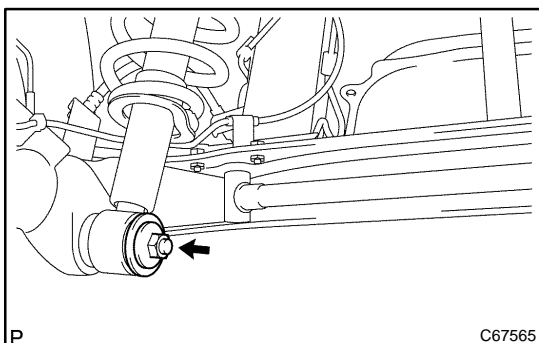
**4. REMOVE STABILIZER BAR REAR(See page 27-13)****5. REMOVE REAR AXLE HUB & BEARING ASSY LH**

(a) Remove the 4 bolts and rear axle hub from the axle beam.

**6. REMOVE REAR AXLE HUB & BEARING ASSY RH**

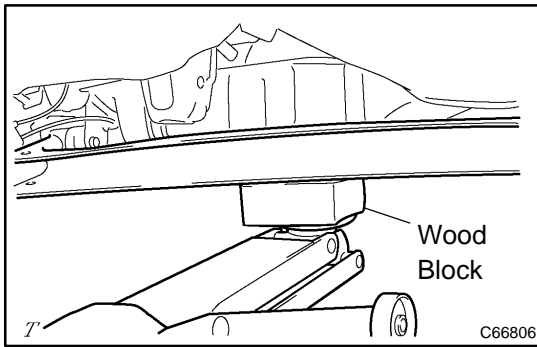
HINT:

Remove the RH side by the same procedures with the LH side.

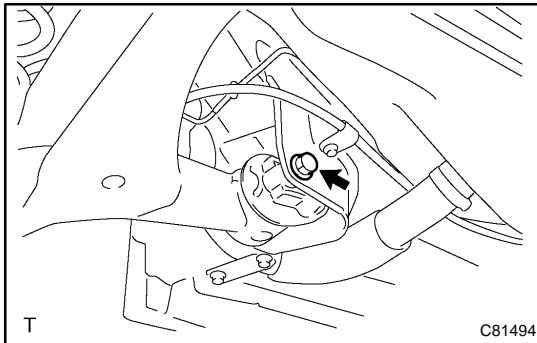
**7. SEPARATE REAR SHOCK ABSORBER WITH COIL SPRING**

(a) Remove the nut, washer and separate the rear shock absorber w/coil spring (lower side) from the rear axle beam.

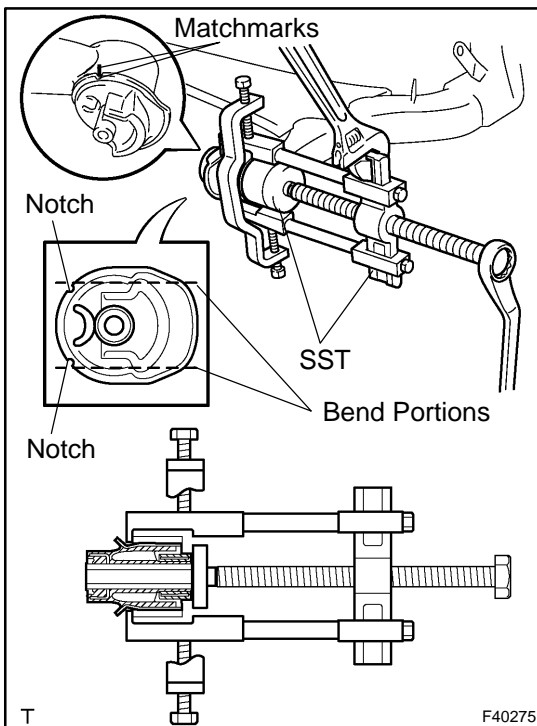
(b) Using the same manner described above to the other side.

**8. REMOVE REAR AXLE BEAM ASSY**

- (a) Support the rear axle beam with jack.



- (b) Remove the 2 bolts, nuts and rear axle beam.

**9. REMOVE REAR AXLE CARRIER BUSH LH**

- (a) Place matchmarks on the 2 notches of the bushing and axle beam.  
 (b) Using a chisel and a hammer, bend the 2 portions of the bushing rib.

**HINT:**

Bend the bushing rib until the claw of SST can be hung.

- (c) Using SST, remove the bushing from the axle beam.  
 SST 09950-40011 (09951-04020, 09952-04010, 09953-04030, 09954-04020, 09955-04051, 09957-04010, 09958-04011), 09950-60010 (09951-00630)

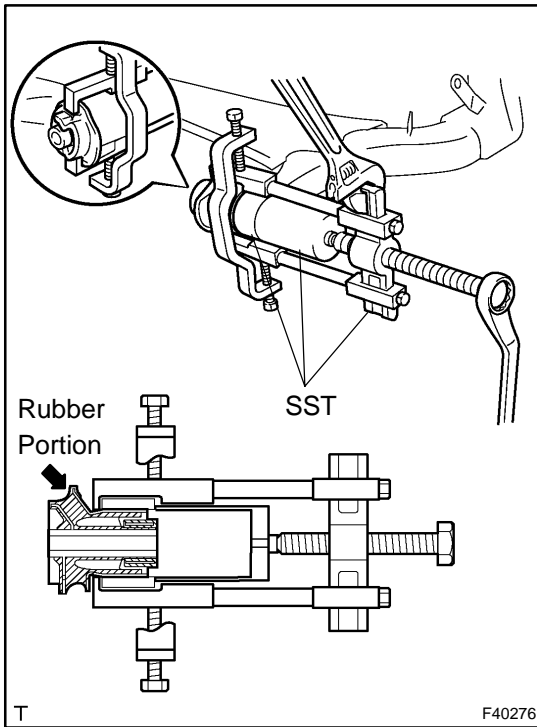
**NOTICE:**

If the axle beam has been scratched, apply the paint.

**10. REMOVE REAR AXLE CARRIER BUSH RH****HINT:**

Remove the RH side by the same procedures with the LH side.

SST 09950-40011 (09951-04020, 09952-04010, 09953-04030, 09954-04020, 09955-04051, 09957-04010, 09958-04011), 09950-60010 (09951-00630)

**11. INSTALL REAR AXLE CARRIER BUSH LH**

- (a) Align the matchmarks on the axle beam with the 2 notches of a new bushing and temporarily install the bushing to the axle beam.
- (b) Using SST, install the bushing to the axle beam.  
SST 09950-40011 (09951-04020, 09952-04010, 09953-04030, 09954-04020, 09955-04051, 09957-04010, 09958-04011), 09950-60010 (09951-00620), 09710-04101

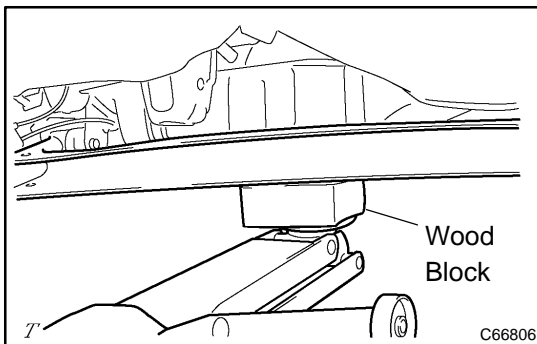
**NOTICE:**

- Hang the claw of SST to the bushing deeply and firmly.
- Do not scratch the rubber portion of the bushing.
- Do not deform the bushing rib.

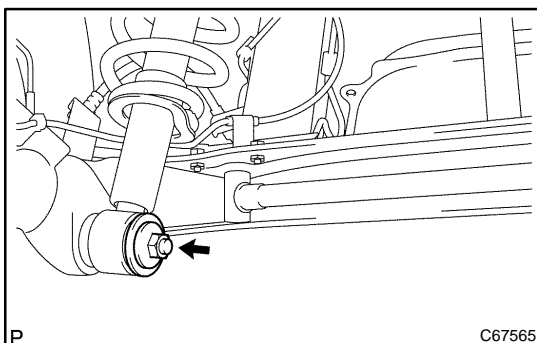
**12. INSTALL REAR AXLE CARRIER BUSH RH****HINT:**

Install the RH side by the same procedures with the LH side.

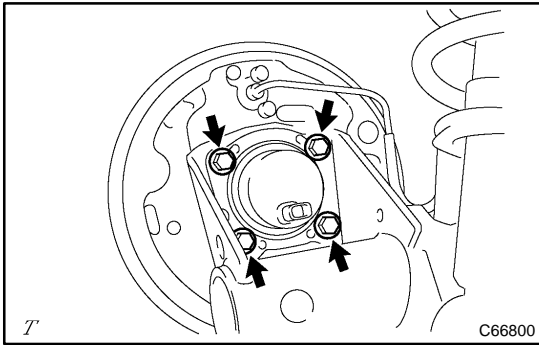
SST 09950-40011 (09951-04020, 09952-04010, 09953-04030, 09954-04020, 09955-04051, 09957-04010, 09958-04011), 09950-60010 (09951-00620), 09710-04101

**13. TEMPORARY TIGHTEN REAR AXLE BEAM ASSY**

- (a) Support the rear axle beam with jack.
- (b) Install the rear axle beam, 2 bolts, and temporary tighten the 2 nuts.

**14. TEMPORARY TIGHTEN REAR SHOCK ABSORBER WITH COIL SPRING**

- (a) Install the rear shock absorber, washer and temporary tighten the nut.
- (b) Using the same manner described above to the other side.

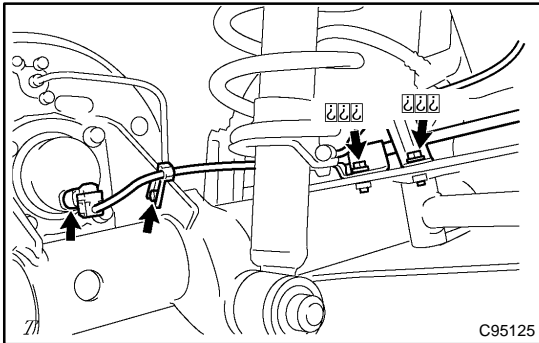
**15. INSTALL REAR AXLE HUB & BEARING ASSY LH**

- (a) Install the rear axle hub with the 4 bolts.  
**Torque: 61 N·m (622 kgf·cm, 45 ft·lbf)**

**16. INSTALL REAR AXLE HUB & BEARING ASSY RH**

**HINT:**

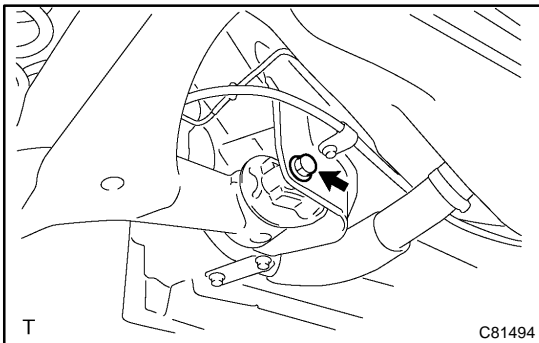
Install the RH side by the same procedures with the LH side.

**17. INSTALL STABILIZER BAR REAR(See page 27-13)****18. INSTALL SKID CONTROL SENSOR WIRE**

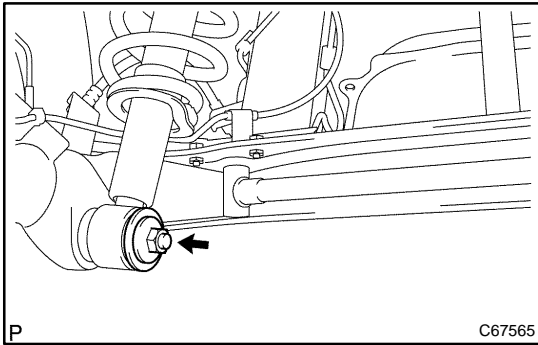
- (a) Install the wire harness and parking brake cable with the 2 bolts and clip.  
**Torque:**  
**(A): 5.4 N·m (55 kgf·cm, 48 in·lbf)**  
**(B): 5.0 N·m (51 kgf·cm, 44 in·lbf)**
- (b) Connect the skid control sensor connector.  
 (c) Using the same manner described above to the other side.

**19. INSTALL REAR BRAKE DRUM SUB-ASSY(See page 32-31)****20. STABILIZE SUSPENSION**

- (a) Install the rear wheel and jack down the vehicle.  
**Torque: 103 N·m (1,050 kgf·cm, 76 ft·lbf)**
- (b) Bounce the vehicle up and down several times to stabilize the suspension.

**21. FULLY TIGHTEN REAR AXLE BEAM ASSY**

- (a) Fully tighten the bolt.  
**Torque: 85 N·m (867 kgf·cm, 62 ft·lbf)**
- (b) Using the same manner described above to the other side.

**22. FULLY TIGHTEN REAR SHOCK ABSORBER WITH COIL SPRING**

(a) Fully tighten the nut.

**Torque: 80 N·m (816 kgf·cm, 59 ft·lbf)**

(b) Using the same manner described above to the other side.

**23. INSPECT REAR WHEEL ALIGNMENT(See page 27-3)**

**24. CHECK ABS SPEED SENSOR SIGNAL(See page 05-297)**