

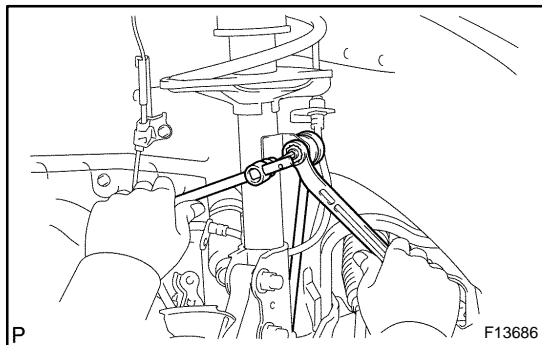
# FRONT SHOCK ABSORBER WITH COIL SPRING OVERHAUL

2607V-01

HINT:

COMPONENTS: See page 26-3

## 1. REMOVE FRONT WHEEL

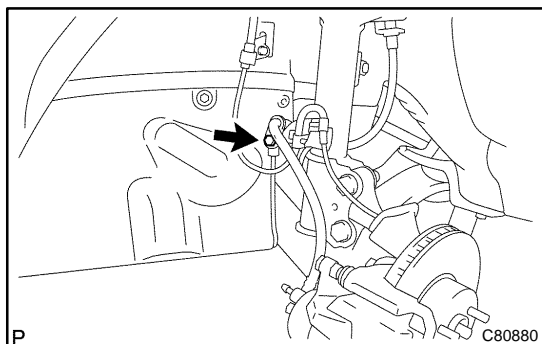


## 2. DISCONNECT FRONT STABILIZER LINK ASSY LH

- (a) Remove the nut and disconnect the front stabilizer link assy LH from the shock absorber assy front LH.

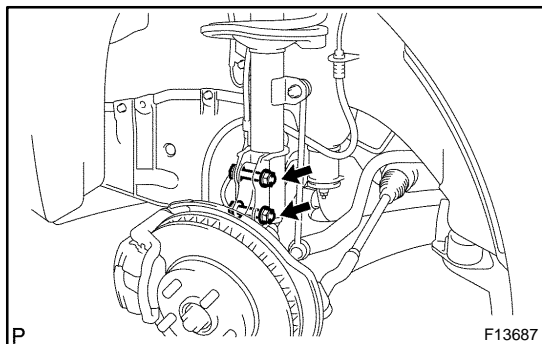
HINT:

If the ball joint turns together with the nut, use a hexagon (6 mm) wrench to hold the stud.



## 3. DISCONNECT FRONT FLEXIBLE HOSE

- (a) w/ ABS:  
Remove the bolt, disconnect the front flexible hose No. 1 and speed sensor front LH.
- (b) w/o ABS:  
Remove the bolt, disconnect the front flexible hose.

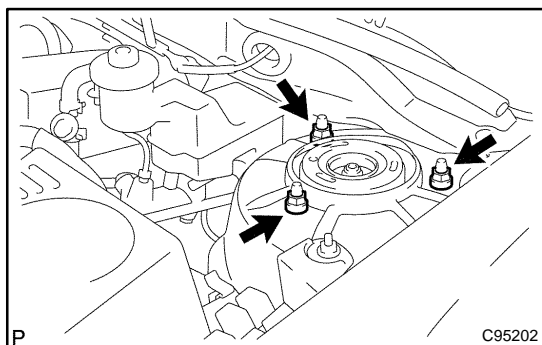


## 4. REMOVE FRONT SHOCK ABSORBER WITH COIL SPRING

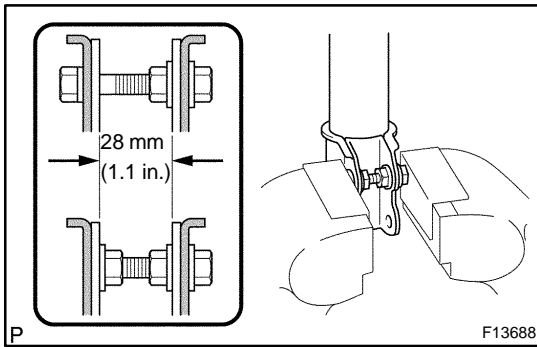
- (a) Remove the 2 bolts and nuts on the lower side of the shock absorber assy front LH.

**NOTICE:**

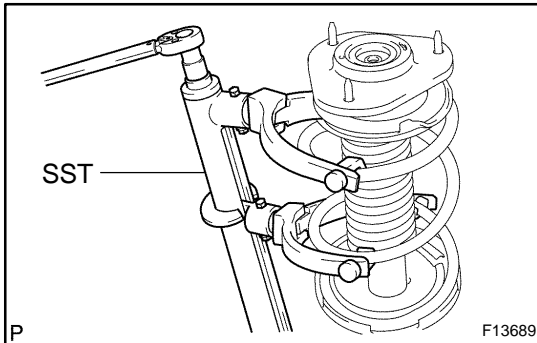
When removing the bolt, stop the bolt from rotating and loosen the nut.



- (b) Remove the 3 nuts on the upper side of the shock absorber assy front LH.
- (c) Remove the front shock absorber with the coil spring.



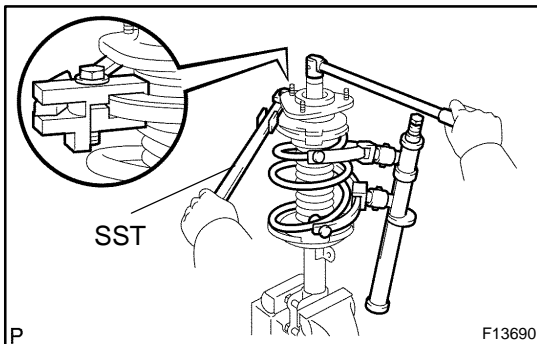
- 5. FIX FRONT SHOCK ABSORBER WITH COIL SPRING**
- (a) Install 2 nuts and a bolt to the bracket at the lower side of the shock absorber assy front LH and secure it in a vise.



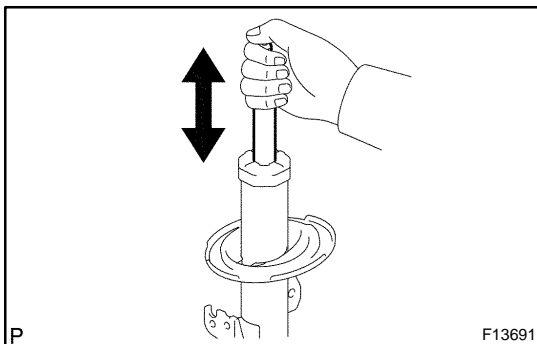
- 6. REMOVE SHOCK ABSORBER ASSY FRONT LH**
- (a) Remove the front suspension support dust cover LH from the front suspension support sub-assy LH.
- (b) Using SST, compress the front coil spring LH.  
SST 09727-30021

**NOTICE:**

**Do not use an impact wrench. It will damage the SST.**



- (c) Using SST to hold the front coil spring seat upper LH, remove the nut.  
SST 09729-22031
- (d) Remove the front suspension support sub-assy LH, front suspension support LH dust seal, front coil spring seat upper LH, front coil spring insulator upper LH, front coil spring LH, front spring bumper LH and front coil spring insulator lower LH.



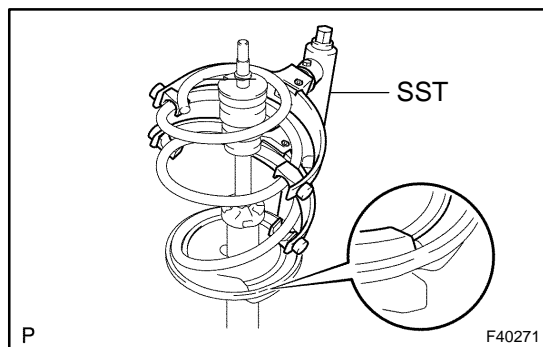
- 7. INSPECT SHOCK ABSORBER ASSY FRONT LH**
- (a) Compress and extend the shock absorber rod and check that there is no abnormal resistance or unusual sound during operation.

If there is any abnormality, replace the shock absorber with a new one.

**NOTICE:**

**When disposing of the shock absorber, see DISPOSAL on page 26-12.**

- 8. INSTALL SHOCK ABSORBER ASSY FRONT LH**
- (a) Install the front coil spring insulator lower LH onto the shock absorber assy front LH.
- (b) Install the front spring bumper LH to the shock absorber piston rod.



- (c) Using SST, compress the front coil spring LH.  
SST 09727-30021

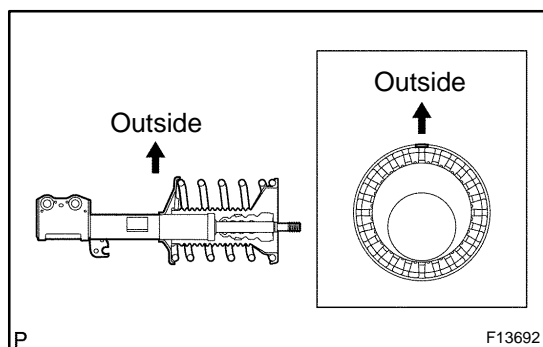
**NOTICE:**

**Do not use an impact wrench. It will damage the SST.**

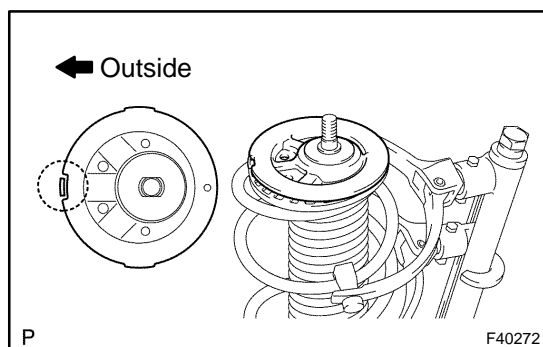
- (d) Install the front coil spring LH to the shock absorber assy front LH.

**HINT:**

Fit the lower end of the front coil spring LH into the gap of the spring lower seat.

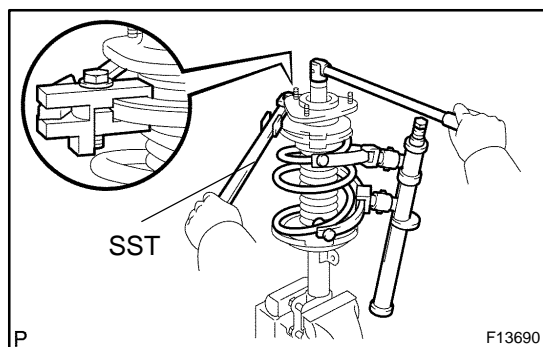


- (e) Install the front coil spring insulator upper LH as shown in the illustration.



- (f) Install the front coil spring seat upper LH to the shock absorber assy front LH with the mark facing the outside of the vehicle.

- (g) Install the front suspension support LH dust seal and front suspension support sub-assy LH.

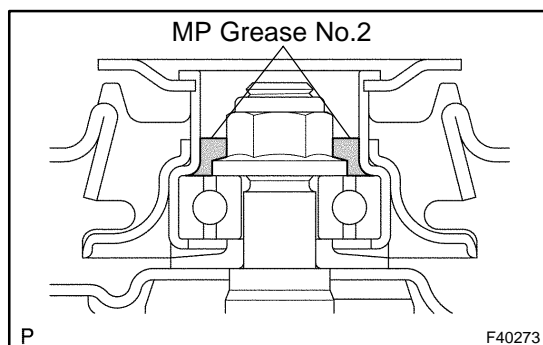


- (h) Using SST to hold the front coil spring seat upper LH, install a new nut.

SST 09729-22031

**Torque: 47 N·m (479 kgf·cm, 35 ft·lbf)**

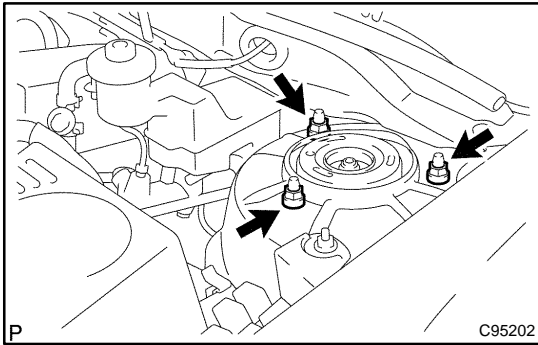
- (i) Remove the SST.  
(j) Install the front suspension support dust cover LH.



- (k) Apply MP grease No.2 into the suspension support sub-assy LH.

**CAUTION:**

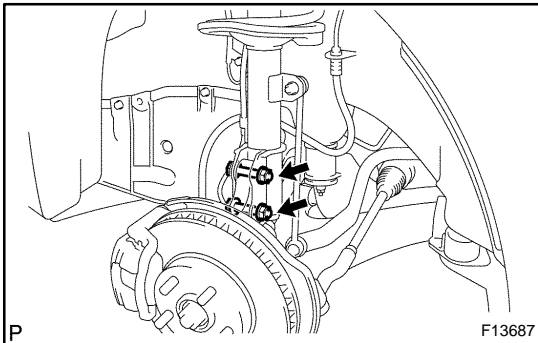
**Do not touch grease on rubber surface of upper support.**



## 9. INSTALL FRONT SHOCK ABSORBER WITH COIL SPRING

- (a) Install the shock absorber with the 2 bolts.
- (b) Install the 3 nuts to the upper side of front shock absorber with coil spring.

**Torque: 39 N·m (398 kgf·cm, 29 ft·lbf)**

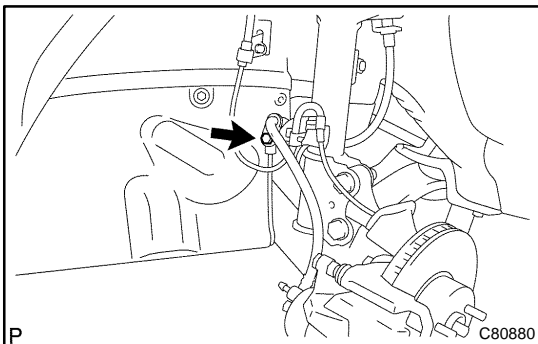


- (c) Install the 2 bolts and nuts to the lower side of front shock absorber with coil spring.

**Torque: 153 N·m (1,560 kgf·cm, 113 ft·lbf)**

### NOTICE:

When installing bolt, stop the bolt from rotating and torque the nut.



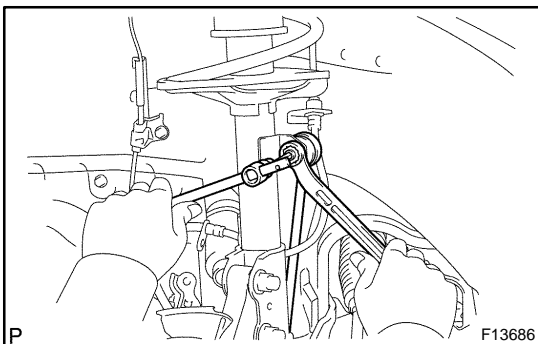
## 10. INSTALL FRONT FLEXIBLE HOSE

- (a) w/ ABS:  
Install the front flexible hose and speed sensor front LH with the bolt.

**Torque: 29 N·m (296 kgf·cm, 21 ft·lbf)**

- (b) w/o ABS:  
Install the front flexible hose with the bolt.

**Torque: 29 N·m (296 kgf·cm, 21 ft·lbf)**



## 11. INSTALL FRONT STABILIZER LINK ASSY LH

- (a) Install the front stabilizer link assy LH with the nut.

**Torque: 74 N·m (755 kgf·cm, 55 ft·lbf)**

### HINT:

If the ball joint turns together with the nut, use a hexagon wrench (6 mm) to hold the stud.

## 12. INSTALL FRONT WHEEL

**Torque: 103 N·m (1,050 kgf·cm, 76 ft·lbf)**

## 13. INSPECT AND ADJUST FRONT WHEEL ALIGNMENT(See page 26-5)