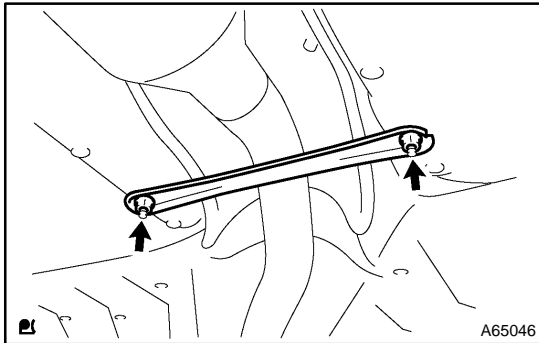


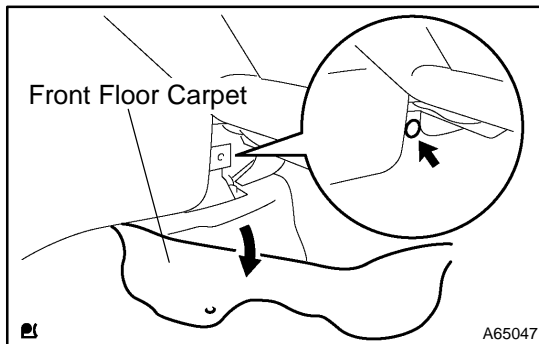
Removal & Installation and Disassembly & Reassembly

1. REMOVE BENCH TYPE REAR SEAT CUSHION ASSY (See page 72-6, 72-8)
2. REMOVE REAR FLOOR SERVICE HOLE COVER (See page 11-16)
3. WORK FOR PREVENTING GASOLINE FROM SPILLING OUT
 - (a) Start the engine.
 - (b) After the engine has stopped on the its own, turn the ignition switch to lock.
4. DISCONNECT FUEL TANK MAIN TUBE SUB-ASSY (See page 11-16)
5. DISCONNECT FUEL EMISSION TUBE SUB-ASSY NO.1 (See page 11-16)
6. REMOVE FUEL TANK VENT TUBE SET PLATE (See page 11-16)
7. REMOVE FUEL PUMP ASSEMBLY (See page 11-16)
8. REMOVE FUEL SUCTION TUBE SET GASKET
9. DRAIN FUEL



10. REMOVE FLOOR PANEL BRACE FRONT

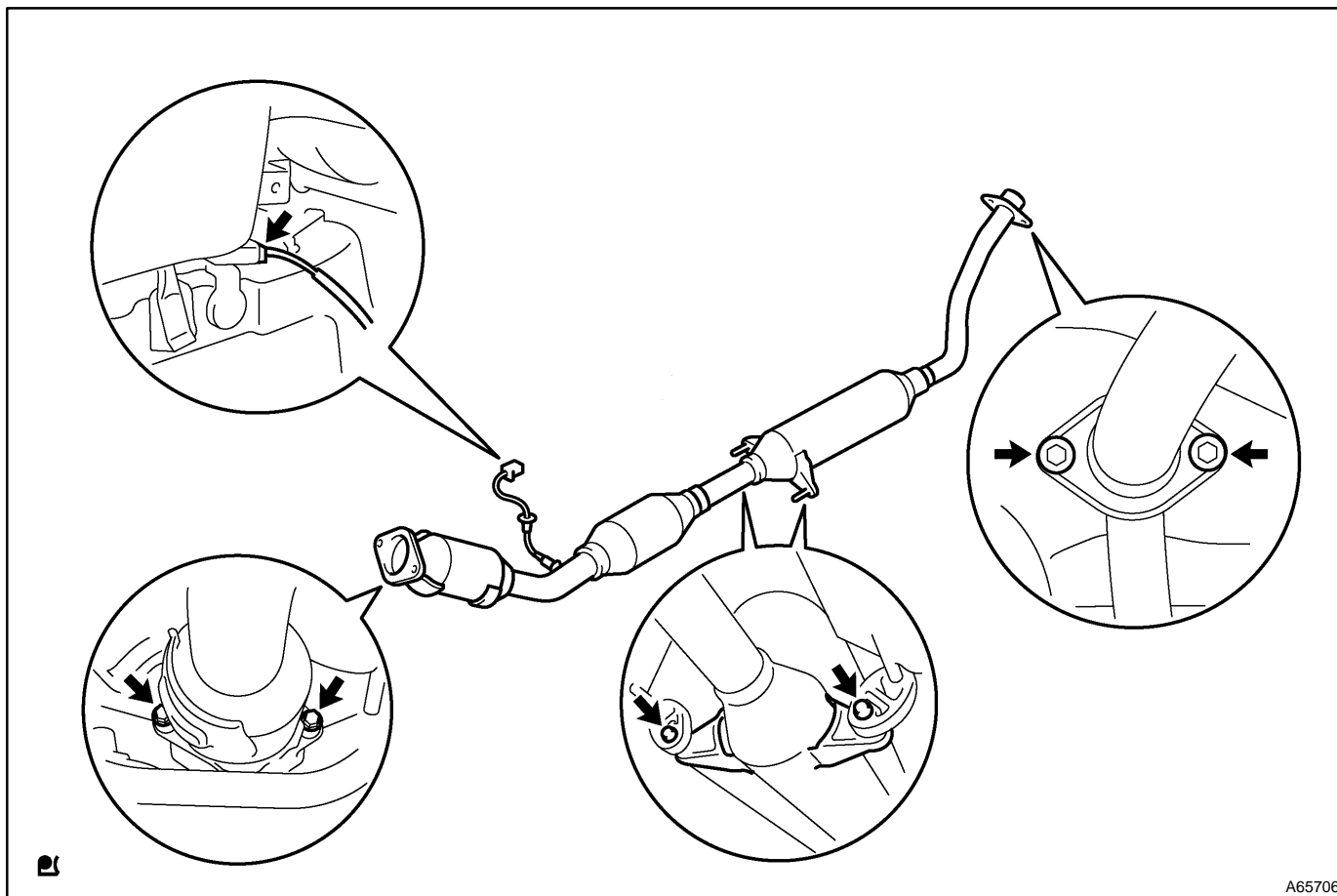
- (a) Remove the 2 nuts and floor panel brace front.



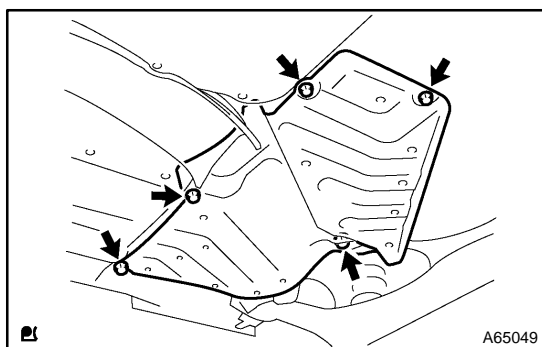
11. REMOVE EXHAUST PIPE ASSY FRONT

- (a) Using a clip remover, remove the clip.
- (b) Tear off the front floor carpet.

- (c) Disconnect the oxygen sensor connector.
- (d) Remove the 2 exhaust pipe supports.
- (e) Remove the 4 bolts, 4 compression springs and exhaust pipe.



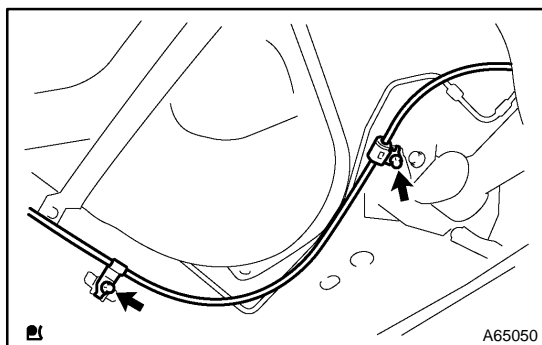
A65706



A65049

12. REMOVE FUEL TANK PROTECTOR NO.1

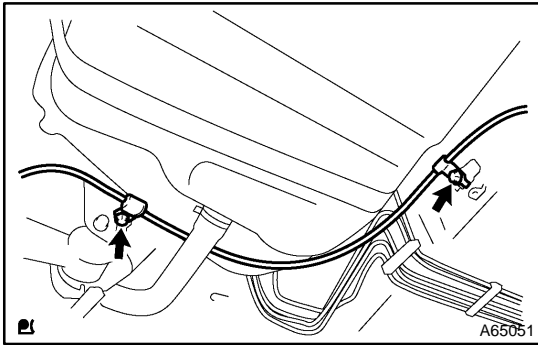
- (a) Remove the 5 bolts and fuel tank protector.



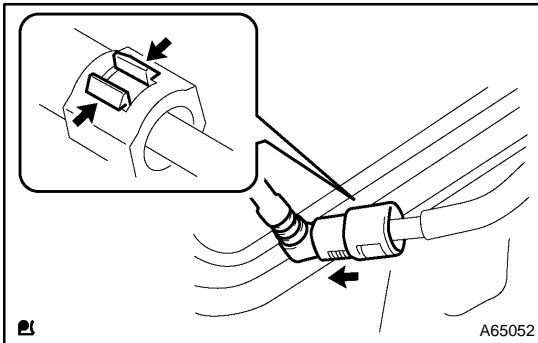
A65050

13. SEPARATE PARKING BRAKE CABLE ASSY NO.2

- (a) Remove the 2 installing bolts of the parking brake cable.



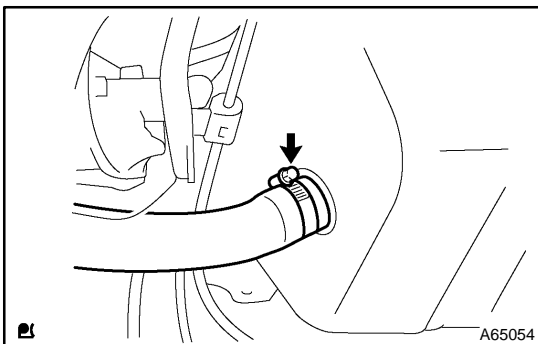
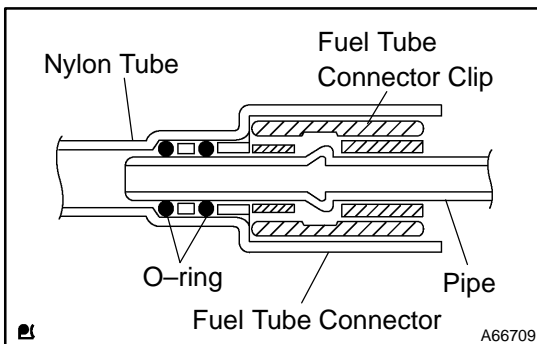
- 14. SEPARATE PARKING BRAKE CABLE ASSY NO.3**
 (a) Remove the 2 installing bolts of the parking brake cable.



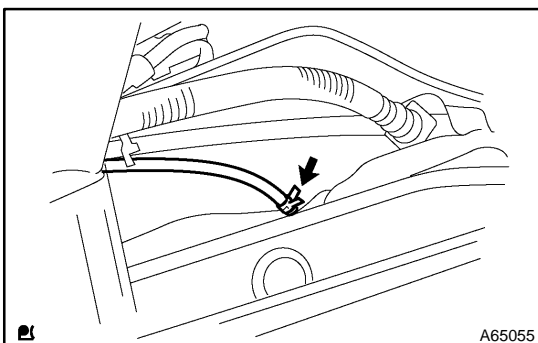
- 15. DISCONNECT FUEL TANK MAIN TUBE SUB-ASSY**
 (a) Pinch the fuel tube connector clip, and remove the fuel tube connector clip.
 (b) Pull out the fuel tank main tube.

NOTICE:

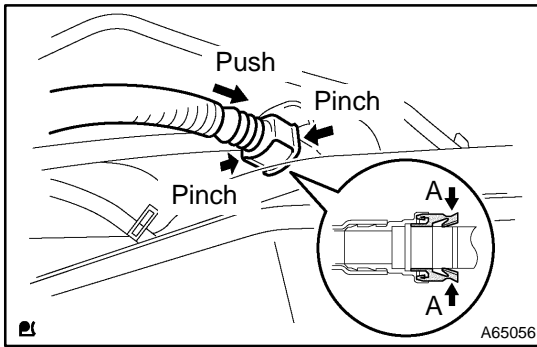
- Check if there is any dirt like mud around the fuel tube connector before this work and clean the dirt away.
- Be careful of dirt like mud because the fuel tube connector has an O-ring to seal the fuel tube connector and pipe.
- Do not use any tool in this work.
- Do not bend or twist the nylon tube by force.
- After disconnecting, cover the fuel tube connector with a vinyl bag.
- When the fuel tube connector and pipe are stuck, pinch the fuel tank main tube between fingers, and turn it carefully to free and then disconnect the fuel tank main tube.



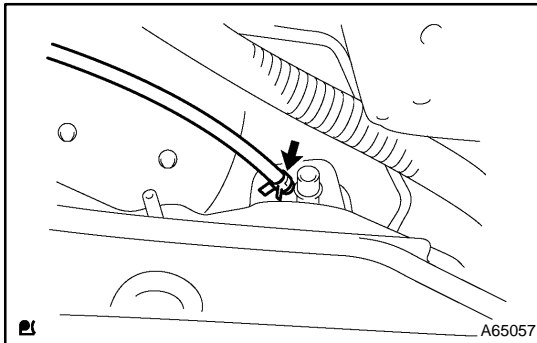
- 16. DISCONNECT FUEL TANK INLET PIPE FUEL HOSE**
 (a) Disconnect the fuel tank inlet filler pipe hose from the fuel tank.



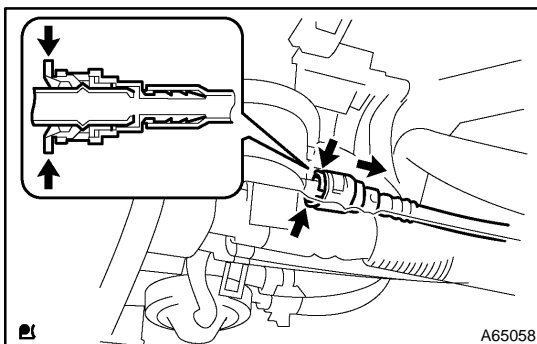
- 17. DISCONNECT FUEL TANK BREATHER HOSE**
 (a) Disconnect the fuel tank breather hose from the fuel tank.

**18. DISCONNECT FUEL TANK VENT HOSE**

- (a) Disconnect the fuel tank bent hose from the charcoal canister.
- (1) Push the connector deep inside.
 - (2) Pinch portion A.
 - (3) Pull out the connector.

**19. DISCONNECT VALVE TO FUEL FILLER PIPE HOSE**

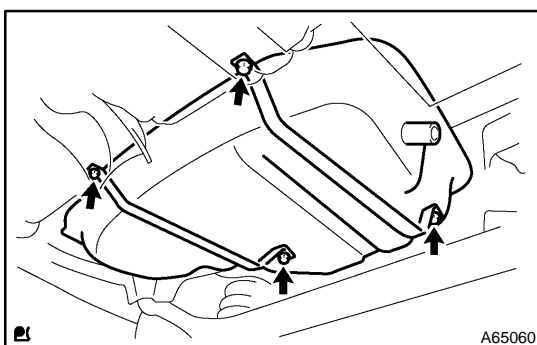
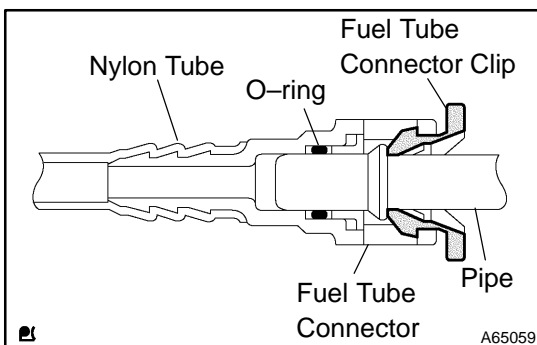
- (a) Disconnect the valve to fuel filler pipe hose from the fuel tank inlet pipe.

**20. DISCONNECT FUEL EMISSION TUBE SUB-ASSY NO.1**

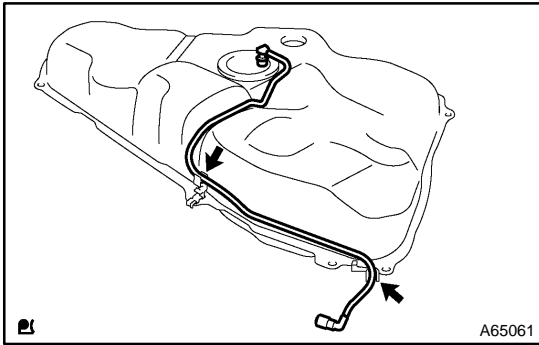
- (a) Pinch the fuel tube connector clip and then pull out the fuel emission tube.

NOTICE:

- Check if there is any dirt like mud around the fuel tube connector before this work and clean the dirt away.
- Be careful of dirt like mud because the fuel tube connector has an O-ring to seal the fuel tube connector and pipe.
- Do not use any tool in this work.
- Do not bend or twist the nylon tube by force.
- After disconnecting, cover the fuel tube connector with a vinyl bag.
- When the fuel tube connector and pipe are stuck, pinch the fuel emission tube between fingers, and turn it carefully to free and then disconnect the fuel emission tube.

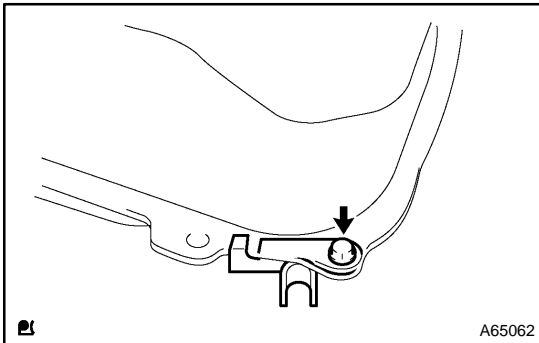
**21. REMOVE FUEL TANK ASSY**

- (a) Set a mission jack to the fuel tank.
- (b) Remove the 4 bolts, 2 fuel tank bands and fuel tank.



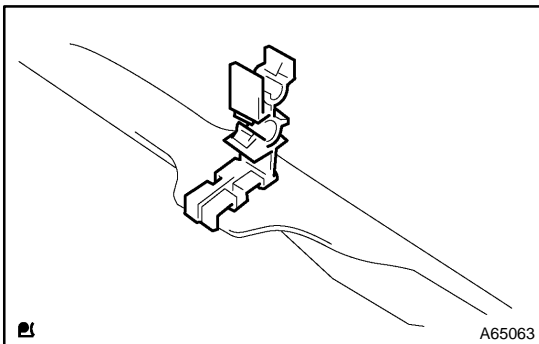
22. REMOVE FUEL TANK MAIN TUBE SUB-ASSY

- (a) Remove the fuel tank main tube from the fuel tube clamp and bracket.



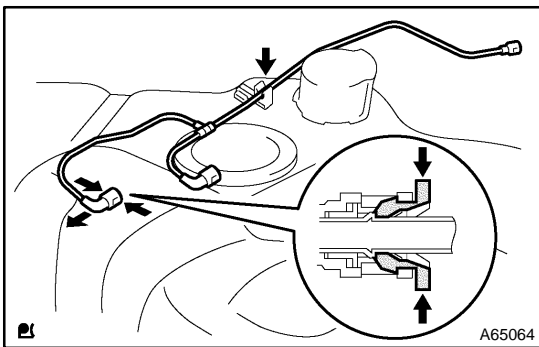
23. REMOVE FUEL TUBE CLAMP NO.4

- (a) Remove the bolt and fuel tank clamp.



24. REMOVE FUEL TUBE BRACKET

- (a) Remove the fuel tube bracket from the fuel tank.

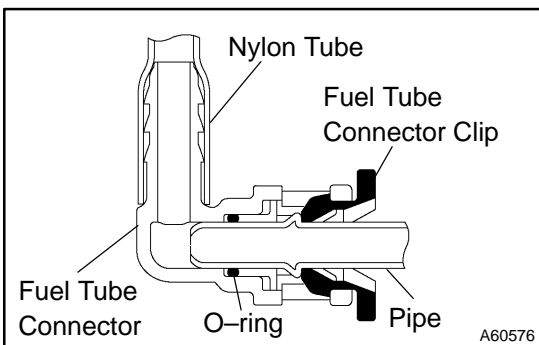


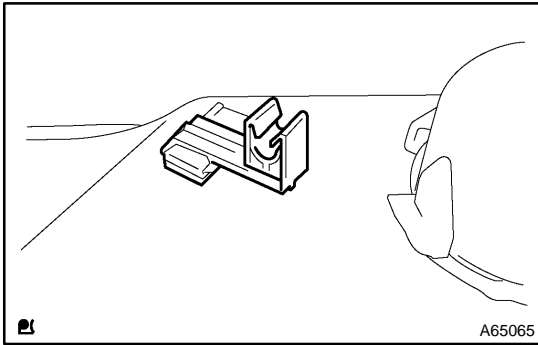
25. REMOVE FUEL EMISSION TUBE SUB-ASSY NO.1

- (a) Pinch the fuel tube connector clip and then pull out the fuel emission tube.

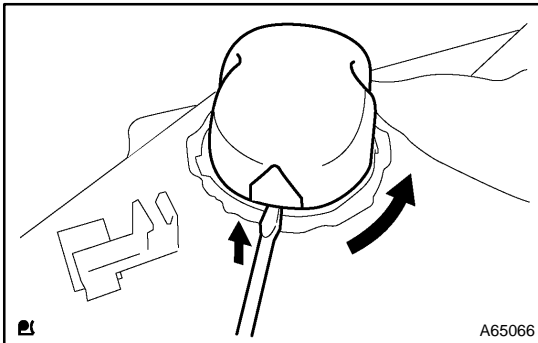
NOTICE:

- Check if there is any dirt like mud around the fuel tube connector before this work and clean the dirt away.
- Be careful of dirt like mud because the fuel tube connector has an O-ring to seal the fuel tube connector and pipe.
- Do not use any tool in this work.
- Do not bend or twist the nylon tube by force.
- After disconnecting, cover the fuel tube connector with a vinyl bag.
- When the fuel tube connector and pipe are stuck, pinch the fuel emission tube between fingers, and turn it carefully to free and then disconnect the fuel emission tube.

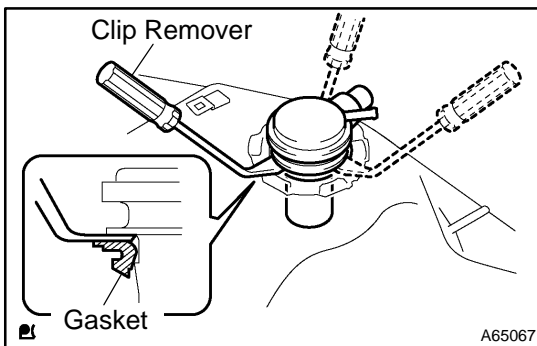


**26. REMOVE FUEL TUBE CLAMP NO.2**

- (a) Remove the fuel tube clamp from the fuel tank.

**27. REMOVE CHECK VALVE PROTECTOR**

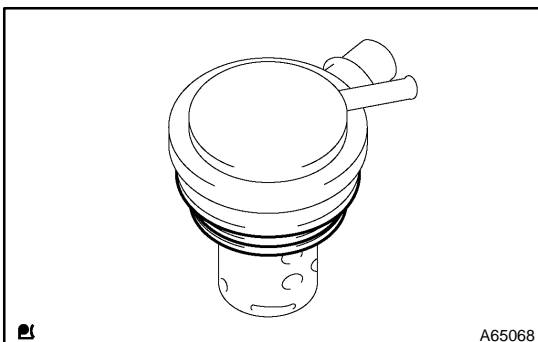
- (a) Using a screwdriver, unlock the claw, and remove the check valve protector by turning it counter clockwise.

**28. REMOVE FUEL TANK INLET VALVE ASSY**

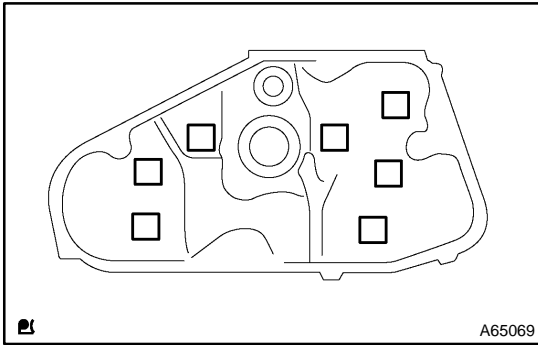
- (a) Insert a clip remover between the fuel tank inlet valve and gasket, remove the fuel tank inlet valve by gradually pushing it upward.

NOTICE:

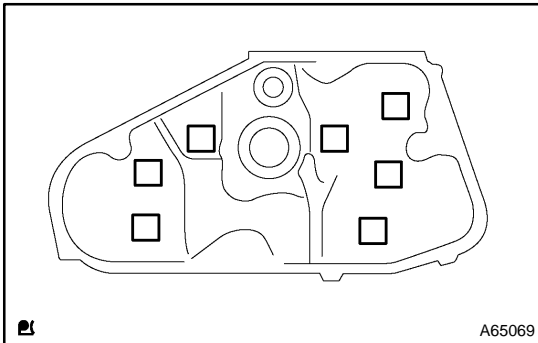
- **Work accurately to maintain the sealing performance of the fuel tank inlet valve, since it is made from resin. It is easy to damage by removing and installing forcibly.**
- **Be sure to install a new fuel tank inlet valve and gasket.**

**29. REMOVE CHECK VALVE GASKET**

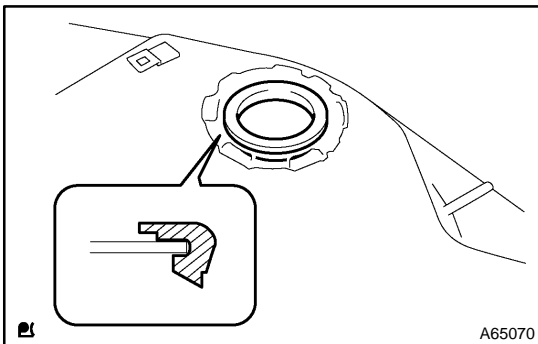
- (a) Remove the gasket from the fuel tank inlet valve.

**30. REMOVE FUEL TANK CUSHION NO.1**

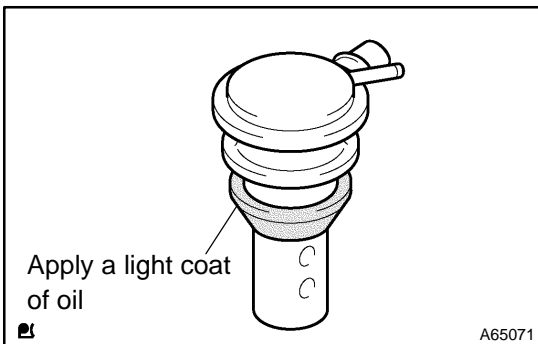
- (a) Remove the 7 fuel tank cushions from the fuel tank.

**31. INSTALL FUEL TANK CUSHION NO.1**

- (a) Install the 7 new fuel tank cushions to the fuel tank.

**32. INSTALL CHECK VALVE GASKET**

- (a) Install a new gasket to the fuel tank.

**33. INSTALL FUEL TANK INLET VALVE ASSY**

- (a) Apply a light coat of oil around the fuel tank inlet valve as shown in the illustration, and insert it into the fuel tank without force.

NOTICE:

Be careful not to drop the gasket into the fuel tank.

34. INSTALL FUEL EMISSION TUBE SUB-ASSY NO.1

- (a) Push in the fuel tube connector to the pipe until fuel tube connector makes "click" sound.

NOTICE:

- Check if there is any damage or foreign objects on the connected part.
- After connecting, check if the fuel tube connector and pipe are securely connected by pulling them.

35. INSTALL FUEL TUBE CLAMP NO.4

- (a) Install the fuel tube clamp with the bolt.
Torque: 6.0 N·m (61 kgf·cm, 53 in·lbf)

36. INSTALL FUEL TANK ASSY

- (a) Set a mission jack to the fuel tank.
 (b) Install the fuel tank and 2 fuel tank bands with the 4 bolts.

Torque: 39 N·m (400 kgf·cm, 29 ft·lbf)

37. CONNECT FUEL EMISSION TUBE SUB-ASSY NO.1

- (a) Push in the fuel tube connector to the pipe until fuel tube connector makes "click" sound.

NOTICE:

- Check if there is any damage or foreign objects on the connected part.
- After connecting, check if the fuel tube connector and pipe are securely connected by pulling them.

38. CONNECT FUEL TANK MAIN TUBE SUB-ASSY

- (a) Push in the fuel tube connector to pipe until fuel tube connector, and install the fuel tube connector clip.

NOTICE:

- Check if there is any damage or foreign objects on the connected part.
- After connecting, check if the fuel tube connector and pipe are securely connected by pulling them.

39. INSTALL PARKING BRAKE CABLE ASSY NO.3

- (a) Install the parking brake cable with the 2 bolts.

Torque: 5.4 N·m (55 kgf·cm, 48 in·lbf)

40. INSTALL PARKING BRAKE CABLE ASSY NO.2

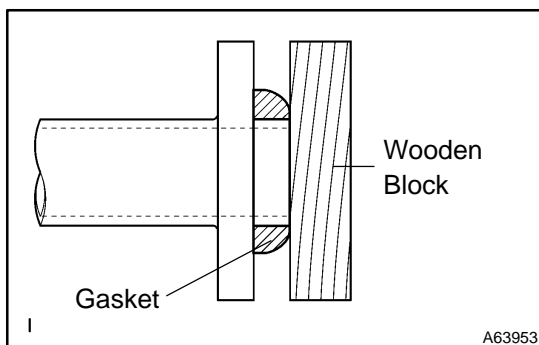
- (a) Install the parking brake cable with the 2 bolts.

Torque: 5.4 N·m (55 kgf·cm, 48 in·lbf)

41. INSTALL FUEL TANK PROTECTOR NO.1

- (a) Install the fuel tank protector with the 5 bolts.

Torque: 5.4 N·m (55 kgf·cm, 48 in·lbf)

**42. INSTALL EXHAUST PIPE ASSY FRONT**

- (a) Using vernier calipers, measure the free length of the compression spring.

Free length:

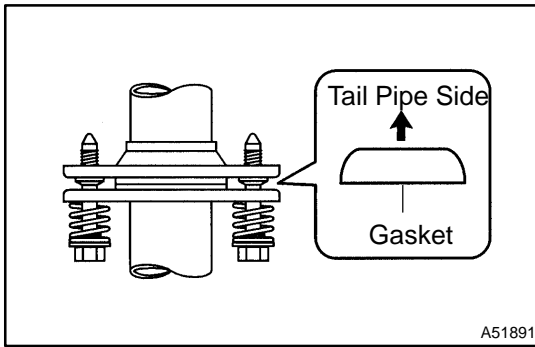
Front side 43mm (1.6929 in.)

Rear side 40mm (1.5748 in.)

- (b) Using a hammer and wooden block, tap in a new gasket until its surface is flush with the exhaust manifold.

NOTICE:

- Tap in the gasket in the correct direction.
- Do not reuse the removed gasket.
- Be sure not to push in the gasket by installing the exhaust pipe.



- (c) Install a new gasket on the exhaust pipe (rear side).
- (d) Install the exhaust pipe with the 4 compression springs and 4 bolts.
Torque: 43 N·m (440 kgf·cm, 32 ft·lbf)
- (e) Install the 2 exhaust pipe supports.
- (f) Connect the oxygen sensor connector.
- (g) Install the front floor carpet with a clip.

43. INSTALL FLOOR PANEL BRACE FRONT

- (a) Install the floor panel brace front with the 2 nuts.

Torque: 30 N·m (302 kgf·cm, 22 ft·lbf)

44. INSTALL FUEL SUCTION TUBE SET GASKET (See page 11-16)

45. INSTALL FUEL PUMP ASSEMBLY (See page 11-16)

46. INSTALL FUEL TANK VENT TUBE SET PLATE (See page 11-16)

47. CONNECT FUEL EMISSION TUBE SUB-ASSY NO.1 (See page 11-16)

48. CONNECT FUEL TANK MAIN TUBE SUB-ASSY (See page 11-16)

49. CHECK FUEL LEAK (See page 11-1)

50. CHECK EXHAUST GAS LEAK

51. INSTALL REAR FLOOR SERVICE HOLE COVER (See page 11-16)

52. INSTALL BENCH TYPE REAR SEAT CUSHION ASSY (See page 72-6, 72-8)