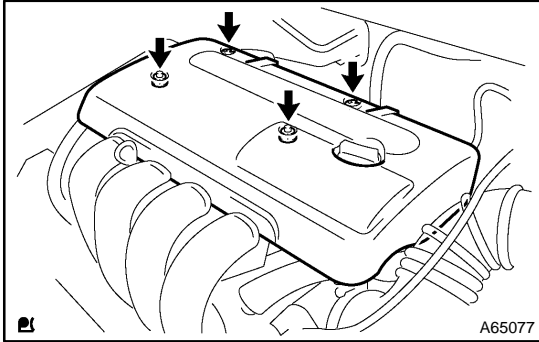


## Removal & Installation and Disassembly & Reassembly

### 1. DRAIN COOLANT(See page 16-7)

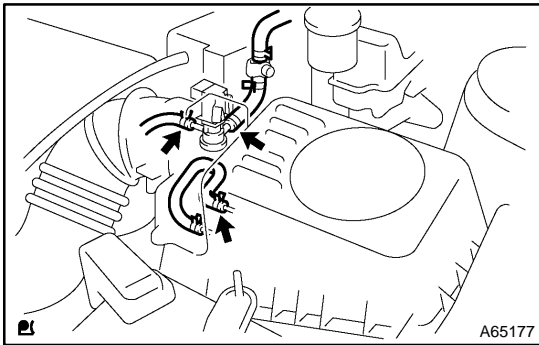


### 2. REMOVE CYLINDER HEAD COVER NO.2

- (a) Remove 2 nuts, 2 clips and the cylinder head cover No. 2.

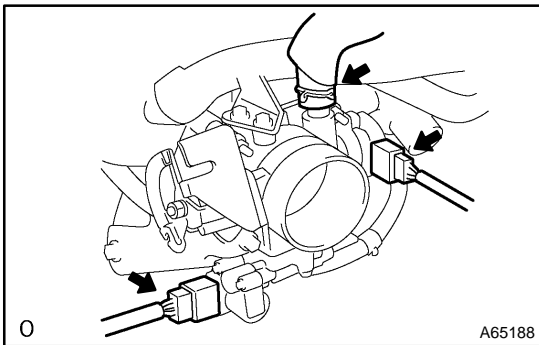
### 3. REMOVE AIR CLEANER CAP SUB-ASSY

- (a) Disconnect the MAF connector.  
 (b) Disconnect the VSV connector.  
 (c) Disconnect 3 vacuum hoses, as shown in the illustration.  
 (d) Loosen an air cleaner hose clamp and disconnect an air cleaner hose No. 1.  
 (e) Remove the air cleaner cap.



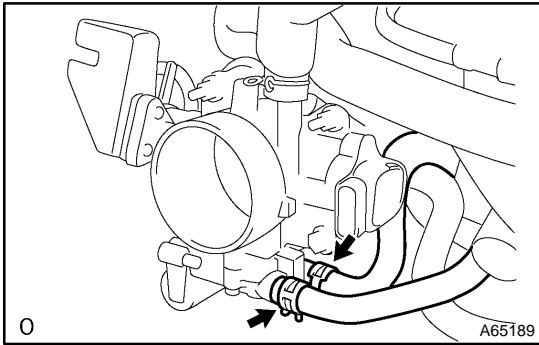
### 4. REMOVE AIR CLEANER HOSE NO.1

### 5. SEPARATE ACCELERATOR CONTROL CABLE ASSY

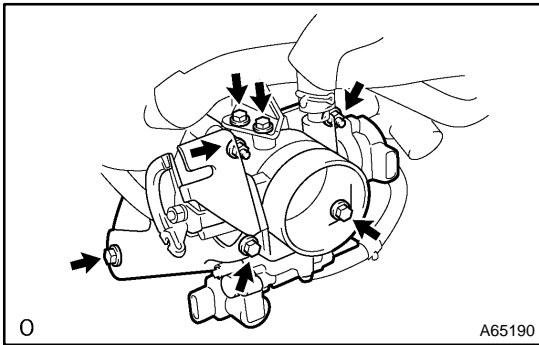


### 6. REMOVE THROTTLE BODY ASSY

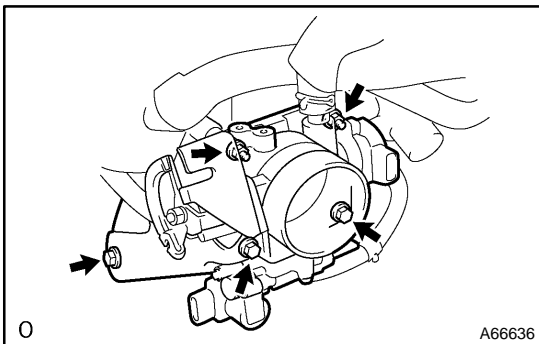
- (a) Disconnect an throttle position sensor connector.  
 (b) Disconnect a throttle body ISC valve assy connector.  
 (c) Disconnect a PCV hose.



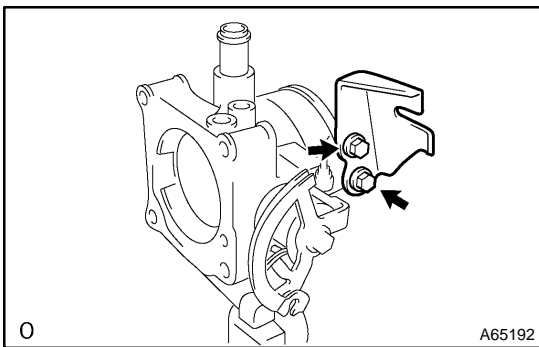
(d) Disconnect 2 water by-pass hoses.



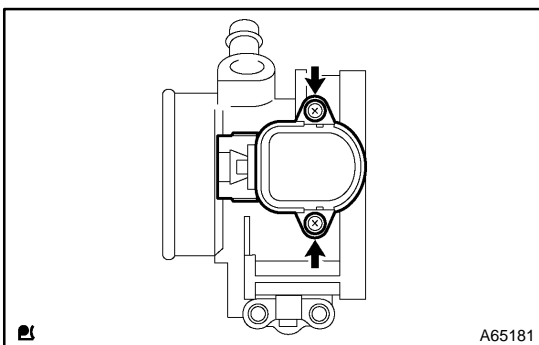
(e) Remove 5 bolts, 2 nuts, throttle body bracket and throttle body. (Transaxle M/T)



(f) Remove 3 bolts, 2 nuts and throttle body. (Transaxle A/T)

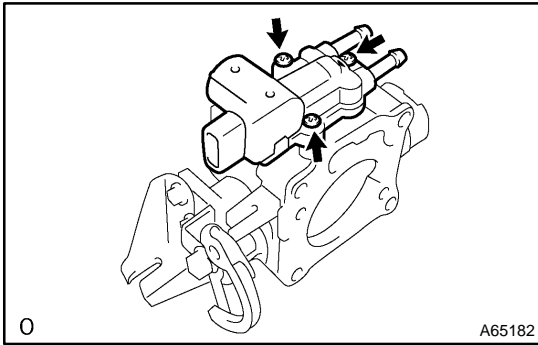


(g) Remove 2 bolts and accelerator cable bracket.



**7. REMOVE E.F.I. THROTTLE POSITION SENSOR**

(a) Remove 2 screws and the throttle position sensor as shown in the illustration.



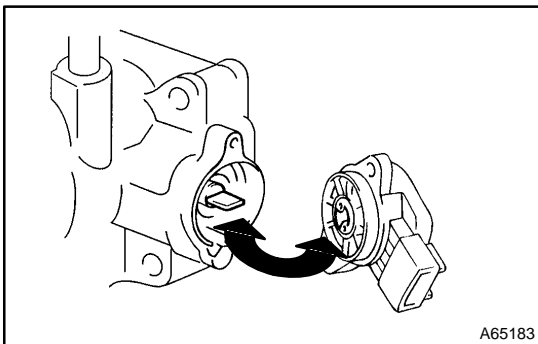
### 8. REMOVE THLOTTLE BODY IDLE SPEED CONTROL VALVE ASSY

- (a) Remove 3 screws and the idle speed control valve assy.
- (b) Remove the gasket from the throttle body.

### 9. INSTALL THLOTTLE BODY IDLE SPEED CONTROL VALVE ASSY

- (a) Install a new gasket on the throttle body.
- (b) Install the idle speed control valve assy with 3 screws.

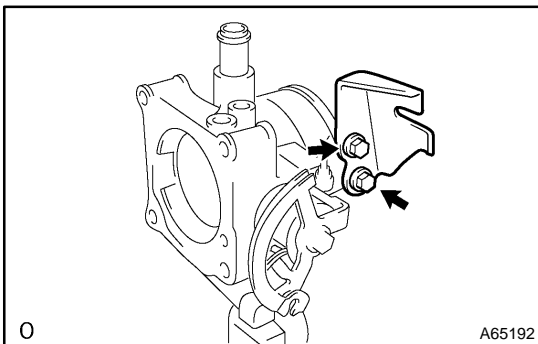
**Torque: 3.7 N·m (38 kgf·cm, 33 in·lbf)**



### 10. INSTALL E.F.I. THROTTLE POSITION SENSOR

- (a) Check that the throttle valve is fully close.
- (b) insert the throttle position sensor to the throttle body with it turned counterclockwise by 30° to 90° against the fully close valve position.
- (c) By turning the throttle position sensor clockwise, tighten 2 screws.

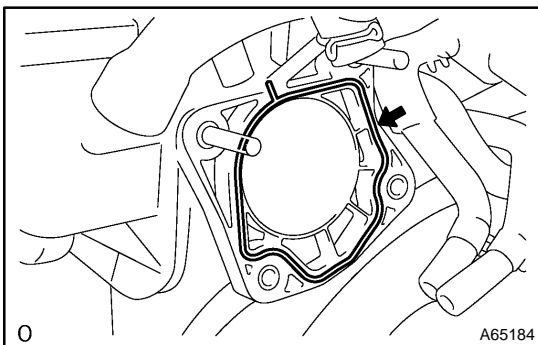
**Torque: 2.0 N·m (20 kgf·cm, 18 in·lbf)**



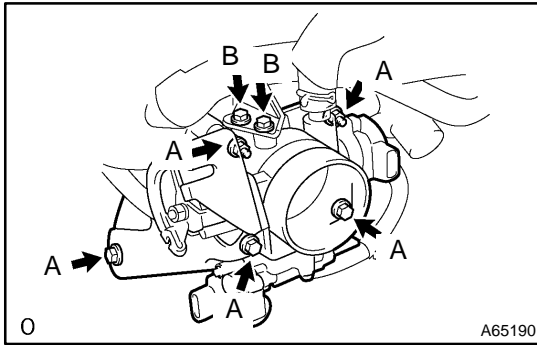
### 11. INSTALL THROTTLE BODY ASSY

- (a) Install the accelerator control bracket with 2 bolts.

**Torque: 13 N·m (133 kgf·cm, 9.6 ft·lbf)**



- (b) Install a new gasket on the intake manifold, as shown in the illustration.

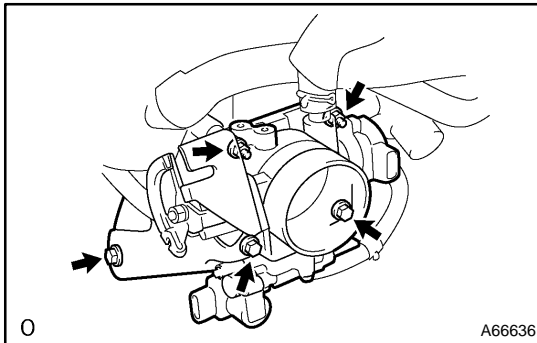


- (c) Install the throttle body with 5 bolts and 2 nuts.(Transaxle M/T)

**Torque:**

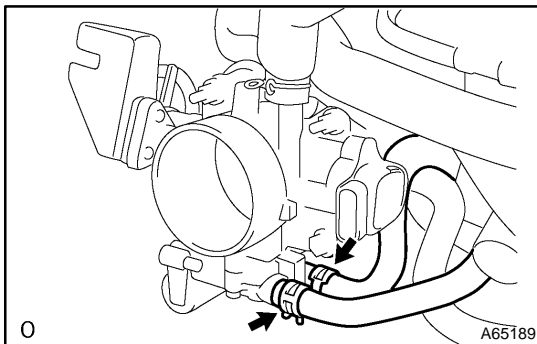
**A 30 N·m (306 kgf·cm, 22 ft·lbf)**

**B 13 N·m (133 kgf·cm, 9.6 ft·lbf)**

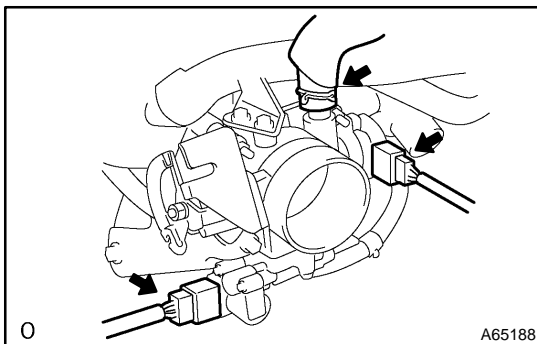


- (d) Install the throttle body with 3 bolts and 2 nuts.(Transaxle A/T)

**Torque: 30 N·m (306 kgf·cm, 22 ft·lbf)**



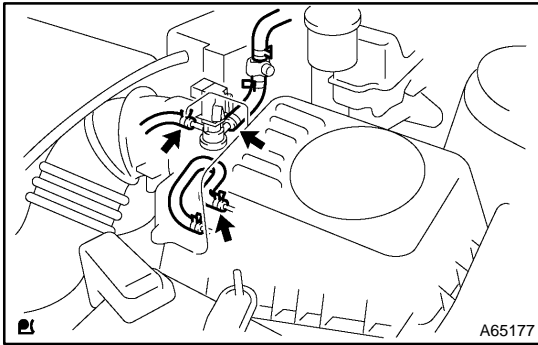
- (e) Connect 2 water by-pass hoses to the throttle body.



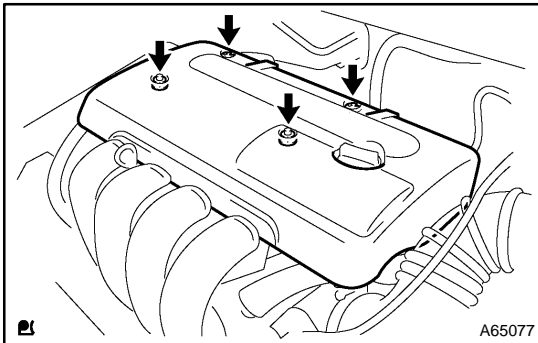
- (f) Connect the PCV hose to the throttle body.  
 (g) Connect the throttle body idle speed control valve assembly connector to the throttle body.  
 (h) Connect the throttle position sensor connector to the throttle body.

## 12. INSTALL AIR CLEANER CAP SUB-ASSY

- (a) Install the air cleaner cap.  
 (b) Connect the air cleaner hose.



- (c) Connect 3 vacuum hoses, as shown in the illustration.
- (d) Connect the VSV connector.
- (e) Connect the intake air flow meter connector.



### 13. INSTALL CYLINDER HEAD COVER NO.2

- (a) Install the cylinder head cover No. 2 with 2 nuts and 2 clips.

**Torque: 7.0 N·m (71 kgf·cm, 62 in.-lbf)**

14. **ADD COOLANT**(See page 16-7)

15. **CHECK ENGINE COOLANT LEAK**(See page 16-1)