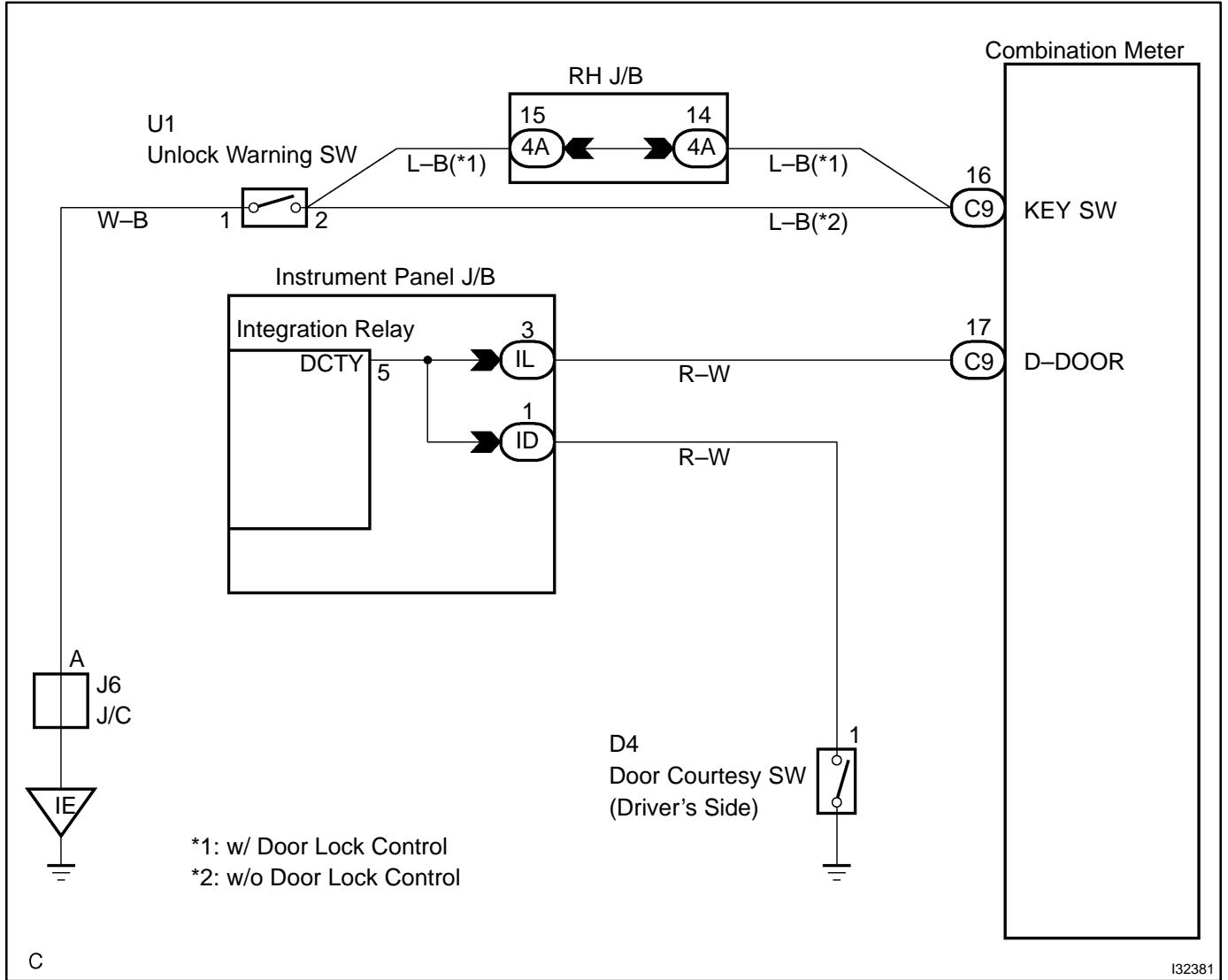


WARNING BUZZER DOES NOT SOUND (KEY REMINDER WARNING, LIGHT REMINDER WARNING)

WIRING DIAGRAM



INSPECTION PROCEDURE

1 CHECK BUZZER

(a) Check that all of the warning buzzers sound.

A	B
Some buzzers sound	No buzzer sounds

B CHECK AND REPLACE COMBINATION METER ASSY

A

2 INSPECT FRONT DOOR COURTESY LAMP SWITCH ASSY(See Page 65-7)

NG

REPLACE FRONT DOOR COURTESY LAMP SWITCH ASSY

OK

3 INSPECT UN-LOCK WARNING SWITCH ASSY(See Page 05-682)

NG

REPLACE UN-LOCK WARNING SWITCH ASSY

OK

4 CHECK HARNESS AND CONNECTOR(BETWEEN UN-LOCK WARNING SWITCH AND COMBINATION METER ASSY)

NG

REPAIR OR REPLACE HARNESS OR CONNECTOR

OK

5 CHECK HARNESS AND CONNECTOR(BETWEEN COURTESY LAMP SWITCH AND COMBINATION METER ASSY)

NG

REPAIR OR REPLACE HARNESS OR CONNECTOR

OK

CHECK AND REPLACE COMBINATION METER ASSY