

DTC	B0136/74	OPEN IN P/T SQUIB (LH) CIRCUIT
------------	-----------------	---------------------------------------

CIRCUIT DESCRIPTION

The P/T squib circuit (LH) consists of the airbag sensor assy center and seat belt pretensioner (LH). It causes the SRS to deploy when the SRS deployment conditions are satisfied.

DTC B0136/74 is recorded when an open is detected in the P/T squib (LH) circuit.

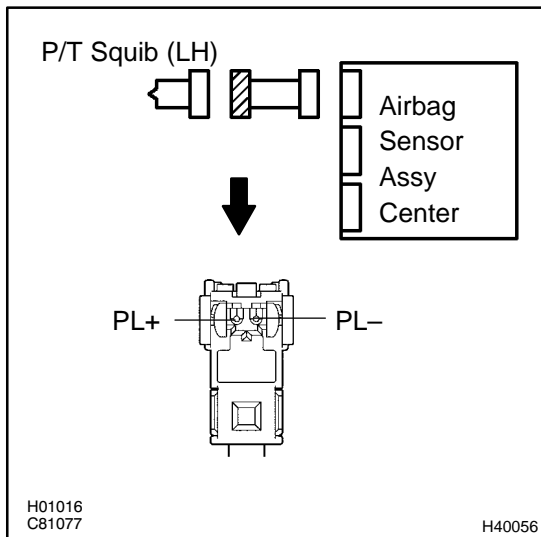
DTC No.	DTC Detecting Condition	Trouble Area
B0136/74	<ul style="list-style-type: none"> • Open circuit in PL+ wire harness or PL- wire harness of squib • P/T squib (LH) malfunction • Airbag sensor assy center malfunction 	<ul style="list-style-type: none"> • Seat belt pretensioner (LH) • Airbag sensor assy center • Instrument panel wire No.3

WIRING DIAGRAM

See page 05-507.

INSPECTION PROCEDURE

1	CHECK P/T SQUIB(LH) CIRCUIT(AIRBAG SENSOR ASSY CENTER – FRONT SEAT OUTER BELT ASSY LH)
----------	---



- (a) Disconnect the negative (-) terminal cable from the battery, and wait at least for 90 seconds.
- (b) Disconnect the connectors between the airbag sensor assy center and the seat belt pretensioner (LH).
- (c) For the connector (on the seat belt pretensioner side) between the airbag sensor assy center and the seat belt pretensioner (LH), measure the resistance between PL+ and PL-.

OK:

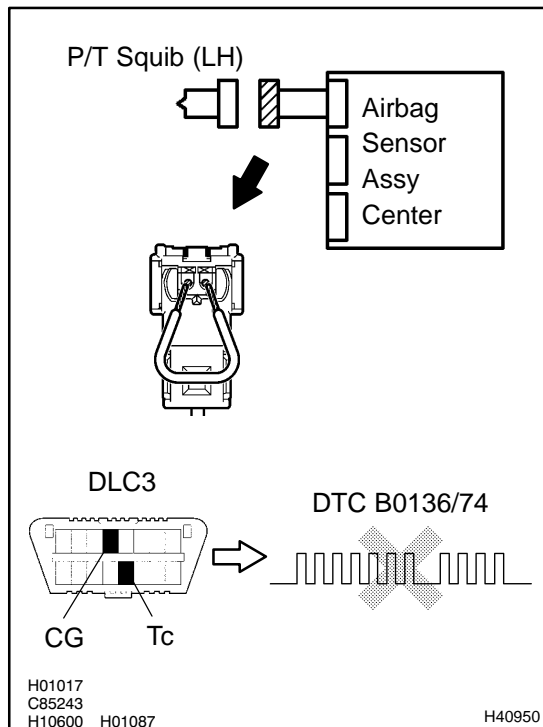
Resistance: Below 1 Ω

NG	REPAIR OR REPLACE INSTRUMENT PANEL WIRE NO.3(AIRBAG SENSOR ASSY CENTER – FRONT SEAT OUTER BELT ASSY LH)
-----------	--

OK

2 CHECK AIR BAG SENSOR ASSY CENTER

SST 09843-18040



- Connect the connector to the airbag sensor assy center.
- Using a service wire, connect PL+ and PL- of the connector (on the seat belt pretensioner side) between the airbag sensor assy center and the seat belt pretensioner (LH).
- Connect the negative (-) terminal cable to the battery, and wait at least for 2 seconds.
- Turn the ignition switch to ON, and wait at least for 20 seconds.
- Clear the DTC stored in memory (See page 05-424).
- Turn the ignition switch to LOCK, and wait at least for 20 seconds.
- Turn the ignition switch to ON, and wait at least for 20 seconds.
- Check the DTC (See page 05-424).

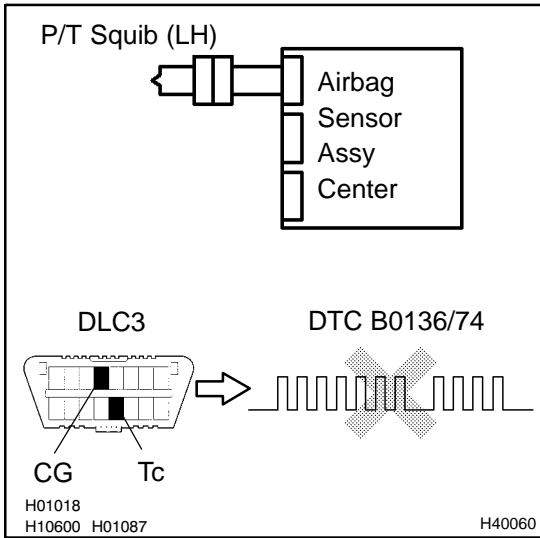
OK:**DTC B0136/74 is not output.****HINT:**

Codes other than code B0136/74 may be output at this time, but they are not relevant to this check.

NG**REPLACE AIR BAG SENSOR ASSY CENTER****OK**

3 CHECK P/T SQUIB (LH)

SST 09843-18040



- (a) Turn the ignition switch to LOCK.
- (b) Disconnect the negative (-) terminal cable from the battery, and wait at least for 90 seconds.
- (c) Connect the seat belt pretensioner (LH) connector.
- (d) Connect the negative (-) terminal cable to the battery, and wait at least for 2 seconds.
- (e) Turn the ignition switch to ON, and wait at least for 20 seconds.
- (f) Clear the DTC stored in memory (See page 05-424).
- (g) Turn the ignition switch to LOCK, and wait at least for 20 seconds.
- (h) Turn the ignition switch to ON, and wait at least for 20 seconds.
- (i) Check the DTC (See page 05-424).

OK:

DTC B0136/74 is not output.

HINT:

Codes other than code B0136/74 may be output at this time, but they are not relevant to this check.

NG → **REPLACE FRONT SEAT OUTER BELT ASSY LH**

OK

USE SIMULATION METHOD TO CHECK