

<b>DTC</b>	<b>B0118/46</b>	<b>SHORT IN SIDE SQUIB (LH) CIRCUIT (TO B+)</b>
------------	-----------------	---

**CIRCUIT DESCRIPTION**

The side squib (LH) circuit consists of the airbag sensor assy center and front seat airbag assy (LH). It causes the SRS to deploy when the SRS deployment conditions are satisfied.

DTC B0118/46 is recorded when a B+ short is detected in the side squib (LH) circuit.

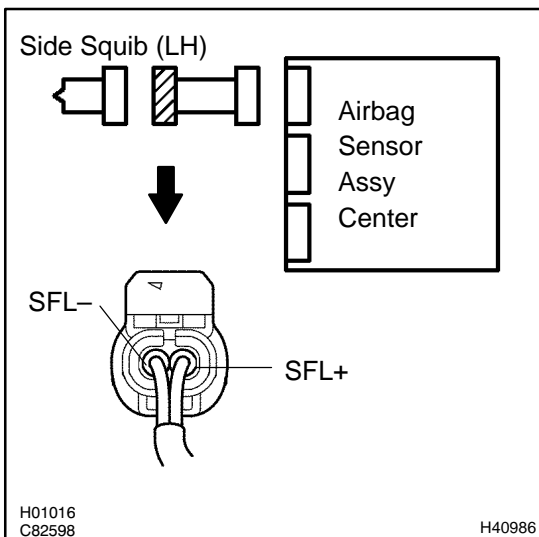
DTC No.	DTC Detecting Condition	Trouble Area
B0118/46	<ul style="list-style-type: none"> <li>• Short circuit in side squib (LH) wire harness (to B+)</li> <li>• Side squib (LH) malfunction</li> <li>• Airbag sensor assy center malfunction</li> </ul>	<ul style="list-style-type: none"> <li>• Front seat airbag assy (LH)</li> <li>• Airbag sensor assy center</li> <li>• Instrument panel wire No.3</li> </ul>

**WIRING DIAGRAM**

See page 05-478.

**INSPECTION PROCEDURE**

<b>1</b>	<b>CHECK SIDE SQUIB(LH) CIRCUIT(AIRBAG SENSOR ASSY CENTER - FRONT SEAT AIRBAG ASSY LH)</b>
----------	--



- (a) Disconnect the negative (-) terminal cable from the battery, and wait at least for 90 seconds.
- (b) Disconnect the connectors between the airbag sensor assy center and the front seat airbag assy (LH).
- (c) Connect the negative (-) terminal cable to the battery, and wait at least for 2 seconds.
- (d) Turn the ignition switch to ON.
- (e) For the connector (on the front seat airbag assy side) between the airbag sensor assy center and the front seat airbag assy (LH), measure the voltage between SFL+ and body ground.

**OK:**

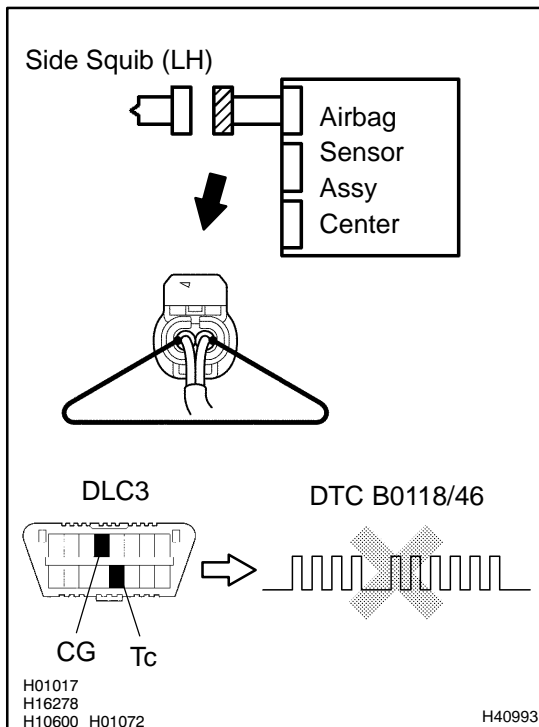
**Voltage: Below 1 V**

<b>NG</b>	<b>REPAIR OR REPLACE INSTRUMENT PANEL WIRE NO.3(AIRBAG SENSOR ASSY CENTER - FRONT SEAT AIRBAG ASSY LH)</b>
-----------	--

**OK**

## 2 CHECK AIR BAG SENSOR ASSY CENTER

SST 09843-18040



- (a) Turn the ignition switch to LOCK.
- (b) Disconnect the negative (-) terminal cable from the battery, and wait at least for 90 seconds.
- (c) Connect the connector to the airbag sensor assy center.
- (d) Using a service wire, connect SFL+ and SFL- of the connector (on the front seat airbag assy side) between the airbag sensor assy center and the front seat airbag assy (LH).
- (e) Connect the negative (-) terminal cable to the battery, and wait at least for 2 seconds.
- (f) Turn the ignition switch to ON, and wait at least for 20 seconds.
- (g) Clear the DTC stored in memory (See page 05-424).
- (h) Turn the ignition switch to LOCK, and wait at least for 20 seconds.
- (i) Turn the ignition switch to ON, and wait at least for 20 seconds.
- (j) Check the DTC (See page 05-424).

**OK:****DTC B0118/46 is not output.**

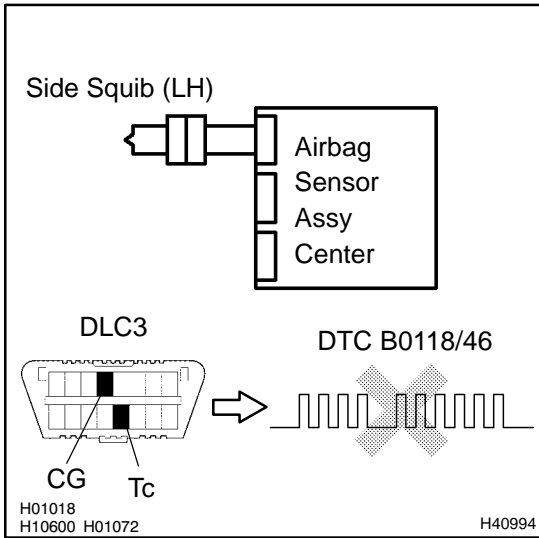
HINT:

Codes other than code B0118/46 may be output at this time, but they are not relevant to this check.

**NG****REPLACE AIR BAG SENSOR ASSY CENTER****OK**

**3 CHECK SIDE SQUIB(LH)**

SST 09843-18040



- (a) Turn the ignition switch to LOCK.
- (b) Disconnect the negative (-) terminal cable from the battery, and wait at least for 90 seconds.
- (c) Connect the front seat airbag assy (LH) connector.
- (d) Connect the negative (-) terminal cable to the battery, and wait at least for 2 seconds.
- (e) Turn the ignition switch to ON, and wait at least for 20 seconds.
- (f) Clear the DTC stored in memory (See page 05-424).
- (g) Turn the ignition switch to LOCK, and wait at least for 20 seconds.
- (h) Turn the ignition switch to ON, and wait at least for 20 seconds.
- (i) Check the DTC (See page 05-424).

**OK:**

**DTC B0118/46 is not output.**

**HINT:**

Codes other than code B0118/46 may be output at this time, but they are not relevant to this check.

**NG** → **REPLACE SEPARATE TYPE FRONT SEAT BACK ASSY**

**OK**

**4 USE SIMULATION METHOD TO CHECK**

**NG** → **Go to step 1**

**OK**

**REPLACE ALL SRS COMPONENTS INCLUDING THE WIRE HARNESS**