

DTC	B0110/43	SHORT IN SIDE SQUIB (RH) CIRCUIT
------------	-----------------	---

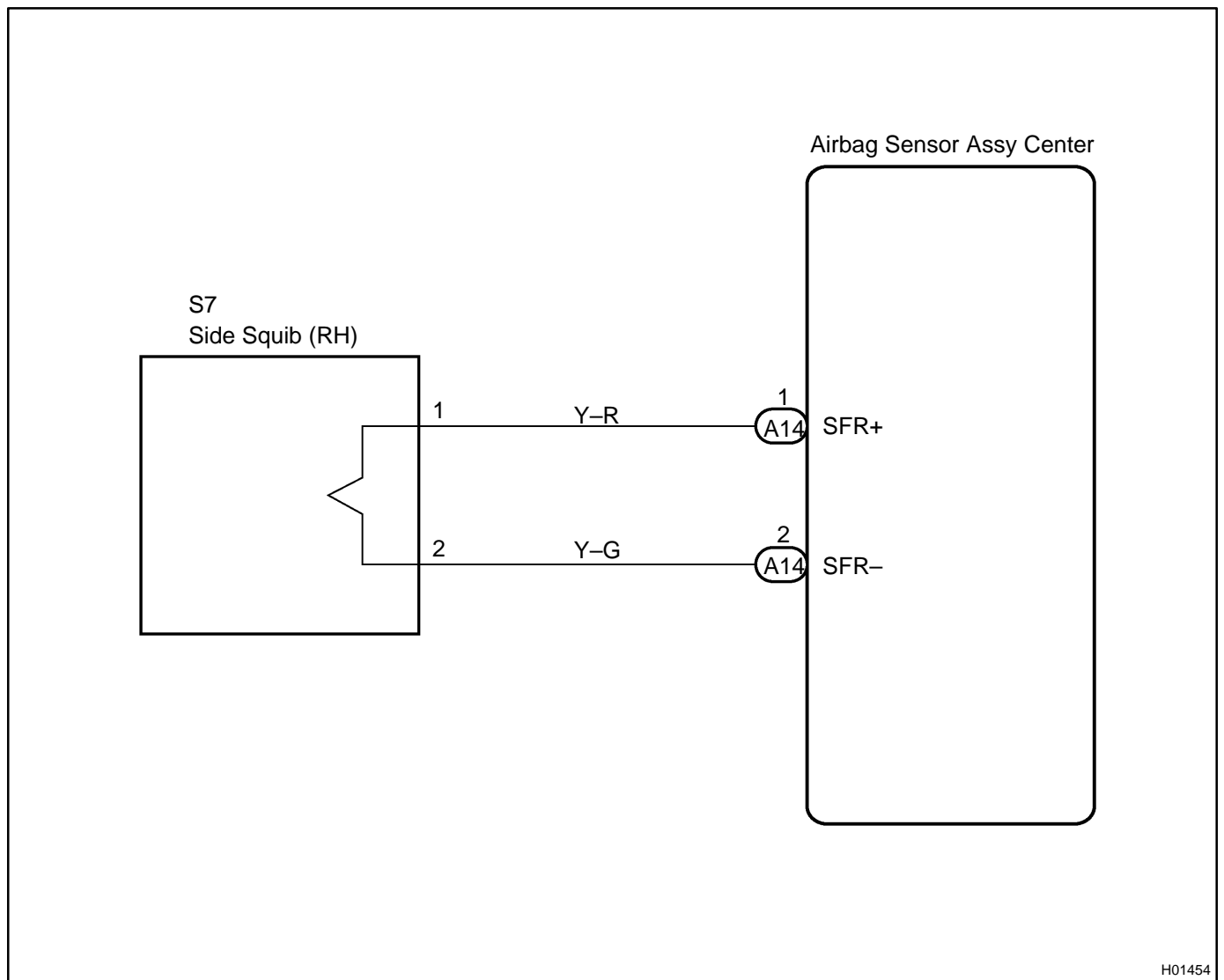
CIRCUIT DESCRIPTION

The side squib (RH) circuit consists of the airbag sensor assy center and front seat airbag assy (RH). It causes the SRS to deploy when the SRS deployment conditions are satisfied.

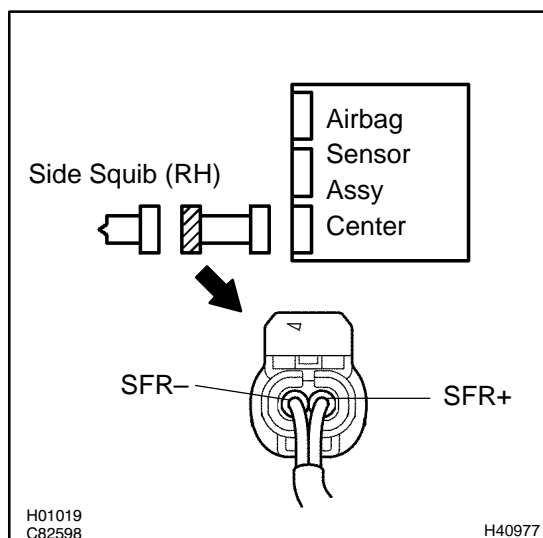
DTC B0110/43 is recorded when a short is detected in the side squib (RH) circuit.

DTC No.	DTC Detecting Condition	Trouble Area
B0110/43	<ul style="list-style-type: none"> • Short circuit between SFR+ wire harness and SFR- wire harness of squib • Side squib (RH) malfunction • Airbag sensor assy center malfunction 	<ul style="list-style-type: none"> • Front seat airbag assy (RH) • Airbag sensor assy center • Instrument panel wire No.3

WIRING DIAGRAM



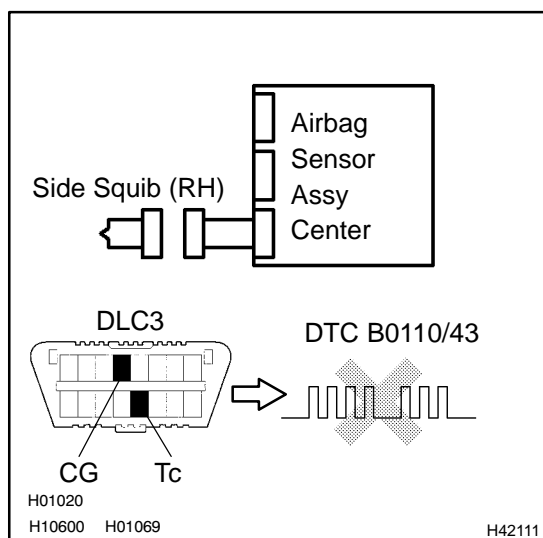
INSPECTION PROCEDURE

1 CHECK SIDE SQUIB(RH) CIRCUIT(AIRBAG SENSOR ASSY CENTER - FRONT SEAT AIRBAG ASSY RH)


- Disconnect the negative (-) terminal cable from the battery, and wait at least for 90 seconds.
- Disconnect the connectors between the front seat airbag assy (RH) and the airbag sensor assy center.
- Release the airbag activation prevention mechanism of the connector (on the airbag sensor assy center side) between the airbag sensor assy center and the front seat airbag assy (RH) (See page 05-424).
- For the connector (on the front seat airbag assy side) between the airbag sensor assy center and the front seat airbag assy (RH), measure the resistance between SFR+ and SFR-.

OK:**Resistance: 1 MΩ or Higher****NG**
REPAIR OR REPLACE INSTRUMENT PANEL WIRE NO.3(AIRBAG SENSOR ASSY CENTER - FRONT SEAT AIRBAG ASSY RH)
OK
2 CHECK AIR BAG SENSOR ASSY CENTER

SST 09843-18040



- Connect the the connector to the airbag sensor assy center.
- Connect the negative (-) terminal cable to the battery, and wait at least for 2 seconds.
- Turn the ignition switch to ON, and wait at least for 20 seconds.
- Clear the DTC stored in memory (See page 05-424).
- Turn the ignition switch to LOCK, and wait at least for 20 seconds.
- Turn the ignition switch to ON, and wait at least for 20 seconds.
- Check the DTC (See page 05-424).

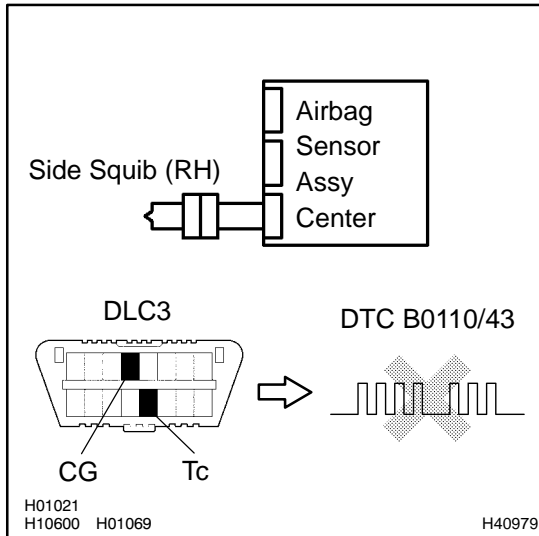
OK:**DTC B0110/43 is not output.****HINT:**

Codes other than code B0110/43 may be output at this time, but they are not relevant to this check.

NG
REPLACE AIR BAG SENSOR ASSY CENTER
OK

3	CHECK SIDE SQUIB(RH)
----------	-----------------------------

SST 09843-18040



- (a) Turn the ignition switch to LOCK.
- (b) Disconnect the negative (-) terminal cable from the battery, and wait at least for 90 seconds.
- (c) Connect the front seat airbag assy (RH) connector.
- (d) Connect the negative (-) terminal cable to the battery, and wait at least for 2 seconds.
- (e) Turn the ignition switch to ON, and wait at least for 20 seconds.
- (f) Clear the DTC stored in memory (See page 05-424).
- (g) Turn the ignition switch to LOCK, and wait at least for 20 seconds.
- (h) Turn the ignition switch to ON, and wait at least for 20 seconds.
- (i) Check the DTC (See page 05-424).

OK:**DTC B0110/43 is not output.****HINT:**

Codes other than code B0110/43 may be output at this time, but they are not relevant to this check.

NG

REPLACE SEPARATE TYPE FRONT SEAT BACK ASSY

OK

USE SIMULATION METHOD TO CHECK
