

<b>DTC</b>	<b>B1158/16</b>	<b>FRONT AIRBAG SENSOR (LH) MALFUNCTION</b>
------------	-----------------	---

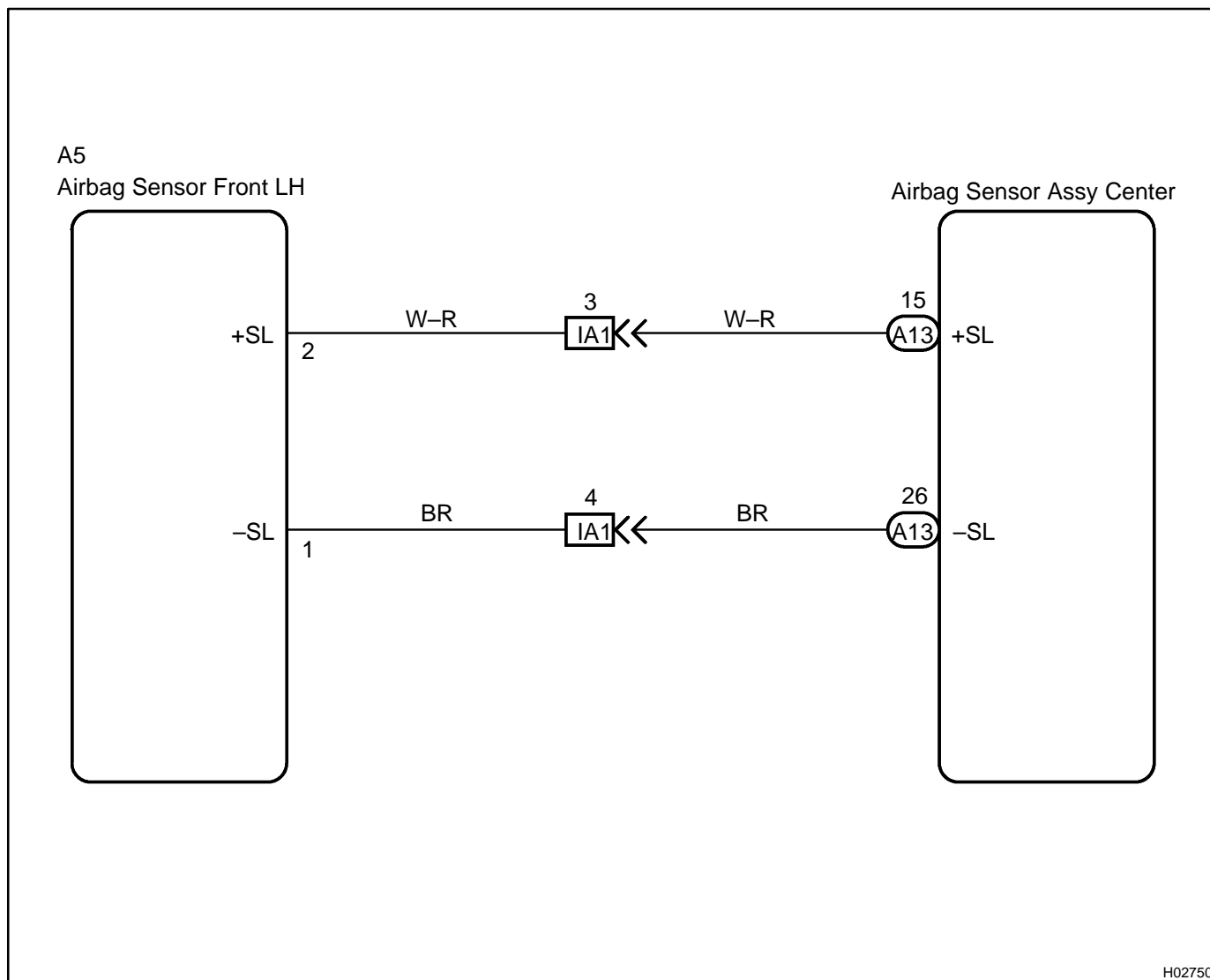
<b>DTC</b>	<b>B1159/16</b>	<b>FRONT AIRBAG SENSOR (LH) MALFUNCTION</b>
------------	-----------------	---

**CIRCUIT DESCRIPTION**

The airbag sensor front LH circuit consists of the airbag sensor assy center and airbag sensor front LH. DTC B1158/B1159/16 is recorded when malfunction is detected in the airbag sensor front LH circuit.

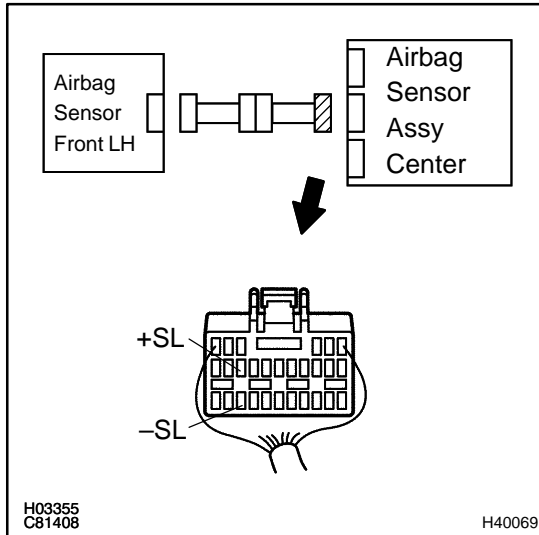
DTC No.	DTC Detecting Condition	Trouble Area
B1158/B1159/16	• Airbag sensor front LH malfunction	<ul style="list-style-type: none"> <li>• Airbag sensor front LH</li> <li>• Airbag sensor assy center</li> <li>• Instrument panel wire</li> <li>• Engine room main wire</li> </ul>

**WIRING DIAGRAM**

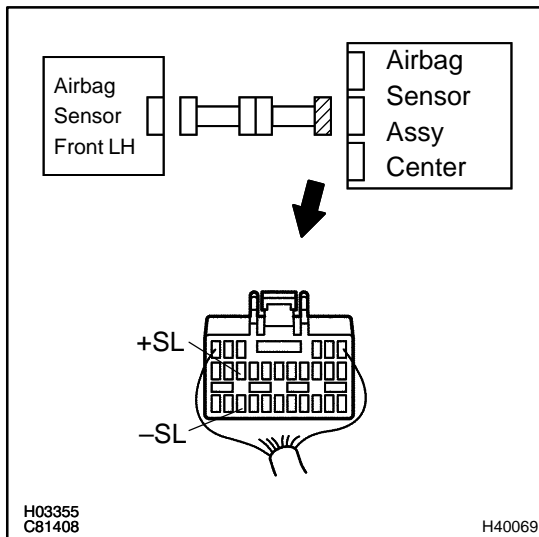


H02750

## INSPECTION PROCEDURE

**1 CHECK FRONT AIRBAG SENSOR (LH) CIRCUIT (TO B+)(AIRBAG SENSOR ASSY CENTER - AIRBAG SENSOR FRONT LH)**


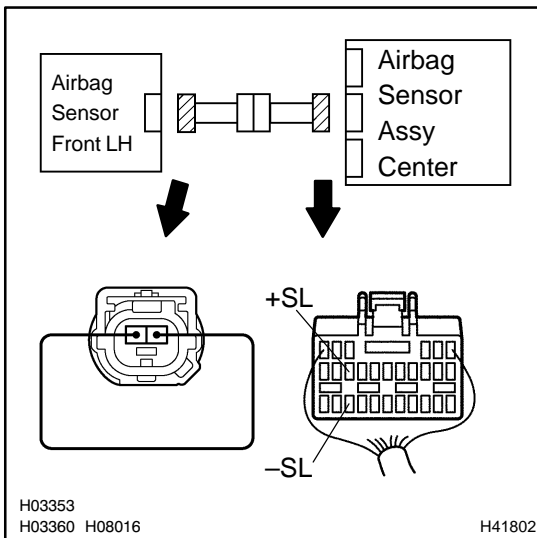
- Disconnect the negative (-) terminal cable from the battery, and wait at least for 90 seconds.
- Disconnect the connectors between the airbag sensor assy center and the airbag sensor front LH.
- Connect the negative (-) terminal cable to the battery, and wait at least for 2 seconds.
- Turn the ignition switch to ON.
- For the connector (on the airbag sensor assy center side) between the airbag sensor front LH and the airbag sensor assy center, measure the voltage between body ground and each of +SL and -SL.

**OK:****Voltage: Below 1 V**
**NG** → **Go to step 6**
**OK**
**2 CHECK FRONT AIRBAG SENSOR(LH) CIRCUIT(TO GROUND)(AIRBAG SENSOR ASSY CENTER - AIRBAG SENSOR FRONT LH)**


- Turn the ignition switch to LOCK.
- Disconnect the negative (-) terminal cable from the battery, and wait at least for 90 seconds.
- For the connector (on the airbag sensor assy center side) between the airbag sensor front LH and the airbag sensor assy center, measure the resistance between body ground and each of +SL and -SL.

**OK:****Resistance: 1 MΩ or Higher**
**NG** → **Go to step 7**
**OK**

### 3 CHECK FRONT AIRBAG SENSOR (LH) CIRCUIT (OPEN) (AIRBAG SENSOR ASSY CENTER - AIRBAG SENSOR FRONT LH)



- (a) Using a service wire, connect +SL and -SL of the connector (on the airbag sensor front LH side) between the airbag sensor assy center and the airbag sensor front LH.
- (b) For the connector (on the airbag sensor assy center side) between the airbag sensor front LH and the airbag sensor assy center, measure the resistance between +SL and -SL.

**OK:**

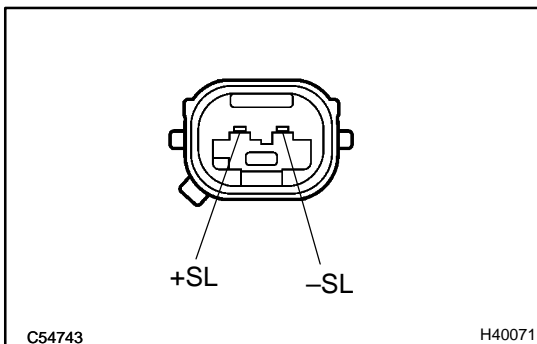
**Resistance: Below 1  $\Omega$**

**NG**

**Go to step 8**

**OK**

### 4 INSPECT AIR BAG SENSOR FRONT LH



- (a) For the connector of the airbag sensor front LH, measure the resistance between +SL and -SL.

**OK:**

**Resistance: 820  $\Omega$**

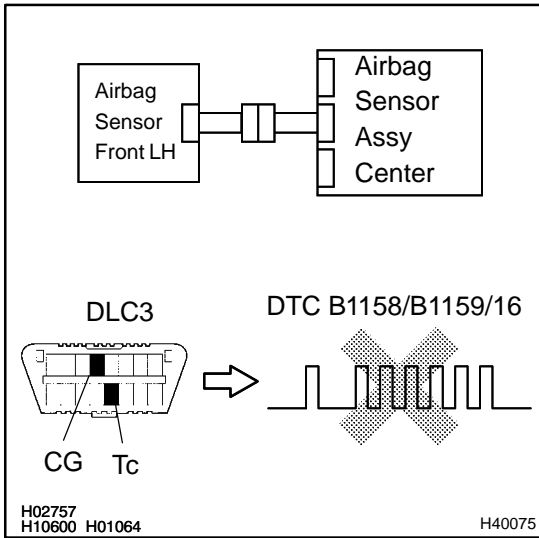
**NG**

**REPLACE AIR BAG SENSOR FRONT LH**

**OK**

**5 CHECK AIR BAG SENSOR ASSY CENTER**

SST 09843-18040



- (a) Disconnect the negative (-) terminal cable from the battery, and wait at least for 90 seconds.
- (b) Connect the airbag sensor front LH connector and airbag sensor assy center connector.
- (c) Connect the negative (-) terminal cable to the battery, and wait at least for 2 seconds.
- (d) Turn the ignition switch to ON, and wait at least for 20 seconds.
- (e) Clear the DTC stored in memory (See page 05-424).
- (f) Turn the ignition switch to LOCK, and wait at least for 20 seconds.
- (g) Turn the ignition switch to ON, and wait at least for 20 seconds.
- (h) Check the DTC (See page 05-424).

**OK:**

**DTC B1158/B1159/16 is not output.**

**HINT:**

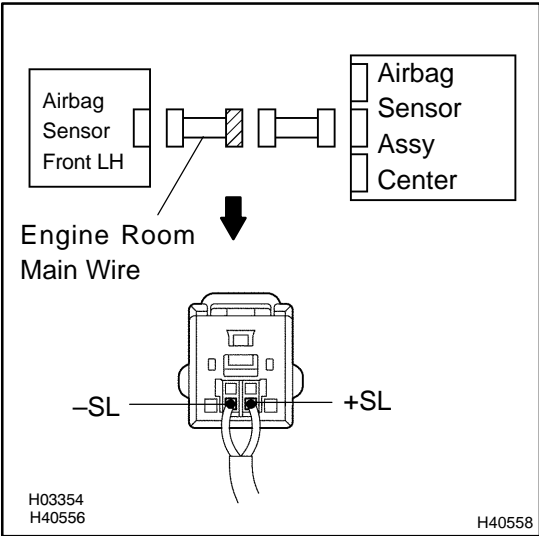
Codes other than code B1158/B1159/16 may be output at this time, but they are not relevant to this check.

**NG** → **REPLACE AIR BAG SENSOR ASSY CENTER**

**OK**

**USE SIMULATION METHOD TO CHECK**

**6 CHECK ENGINE ROOM MAIN WIRE HARNESS (TO B+)(CONECTOR - AIRBAG SENSOR FRONT LH)**



- (a) Turn the ignition switch to LOCK.
- (b) Disconnect the negative (-) terminal cable from the battery, and wait at least for 90 seconds.
- (c) Disconnect the connector between the engine room main wire and the instrument panel wire.
- (d) Connect the negative (-) terminal to the battery, and wait at least for 2 seconds.
- (e) Turn the ignition switch to ON.
- (f) For the engine room main wire connector (on the airbag sensor assy center side) between the airbag sensor assy center and the airbag sensor front LH, measure the voltage between body ground and each of +SL and -SL.

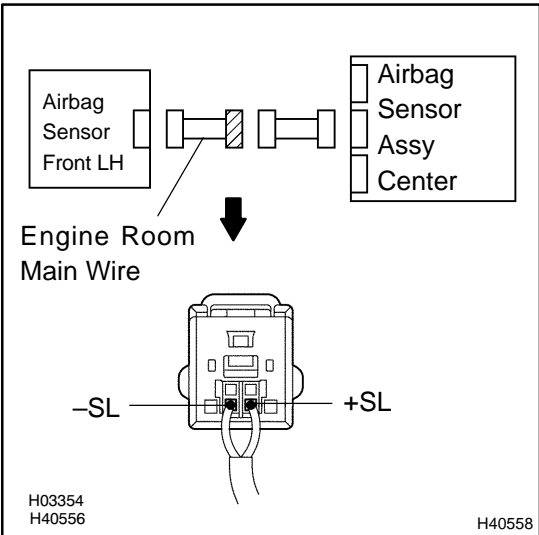
**OK:**  
**Voltage: Below 1 V**

**NG** → **REPAIR OR REPLACE ENGINE ROOM MAIN WIRE**

**OK**

**REPAIR OR REPLACE INSTRUMENT PANEL WIRE**

**7 CHECK ENGINE ROOM MAIN WIRE HARNESS (TO GROUND)(CONNECTOR - AIRBAG SENSOR FRONT LH)**



- (a) Disconnect the connectors between the engine room main wire and the instrument panel wire.
- (b) For the engine room main wire connector (on the airbag sensor assy center side) between the airbag sensor assy center and the airbag sensor front LH, measure the resistance between body ground and each of +SL and -SL.

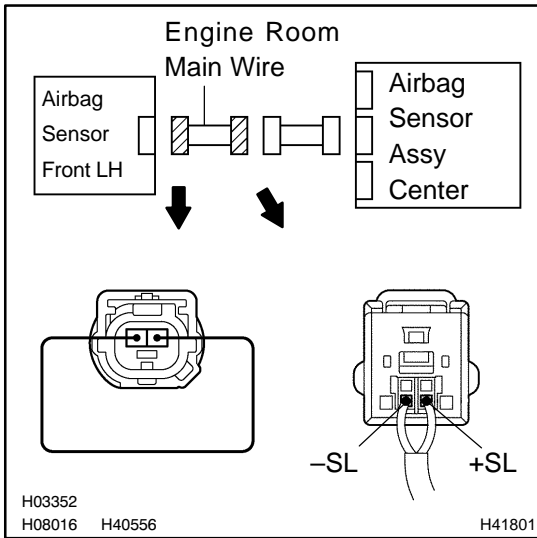
**OK:**  
**Resistance: 1 MΩ or Higher**

**NG** → **REPAIR OR REPLACE ENGINE ROOM MAIN WIRE**

**OK**

**REPAIR OR REPLACE INSTRUMENT PANEL WIRE**

## 8 CHECK ENGINE ROOM MAIN WIRE HARNESS(OPEN)(CONNECTOR - AIRBAG SENSOR FRONT LH)



- Disconnect the connectors between the engine room main wire and the instrument panel wire.
- Using a service wire, connect +SL and -SL of the engine room main wire connector (on the airbag sensor front LH side) between the airbag sensor assy center and the airbag sensor front LH.
- For the engine room main wire connector (on the airbag sensor assy center side) between the airbag sensor assy center and the airbag sensor front LH, measure the resistance between +SL and -SL.

**OK:**

**Resistance: Below 1  $\Omega$**

**NG**

**REPAIR OR REPLACE ENGINE ROOM MAIN WIRE**

**OK**

**REPAIR OR REPLACE INSTRUMENT PANEL WIRE**