

DTC	B1156/15	FRONT AIRBAG SENSOR (RH) MALFUNCTION
------------	-----------------	---

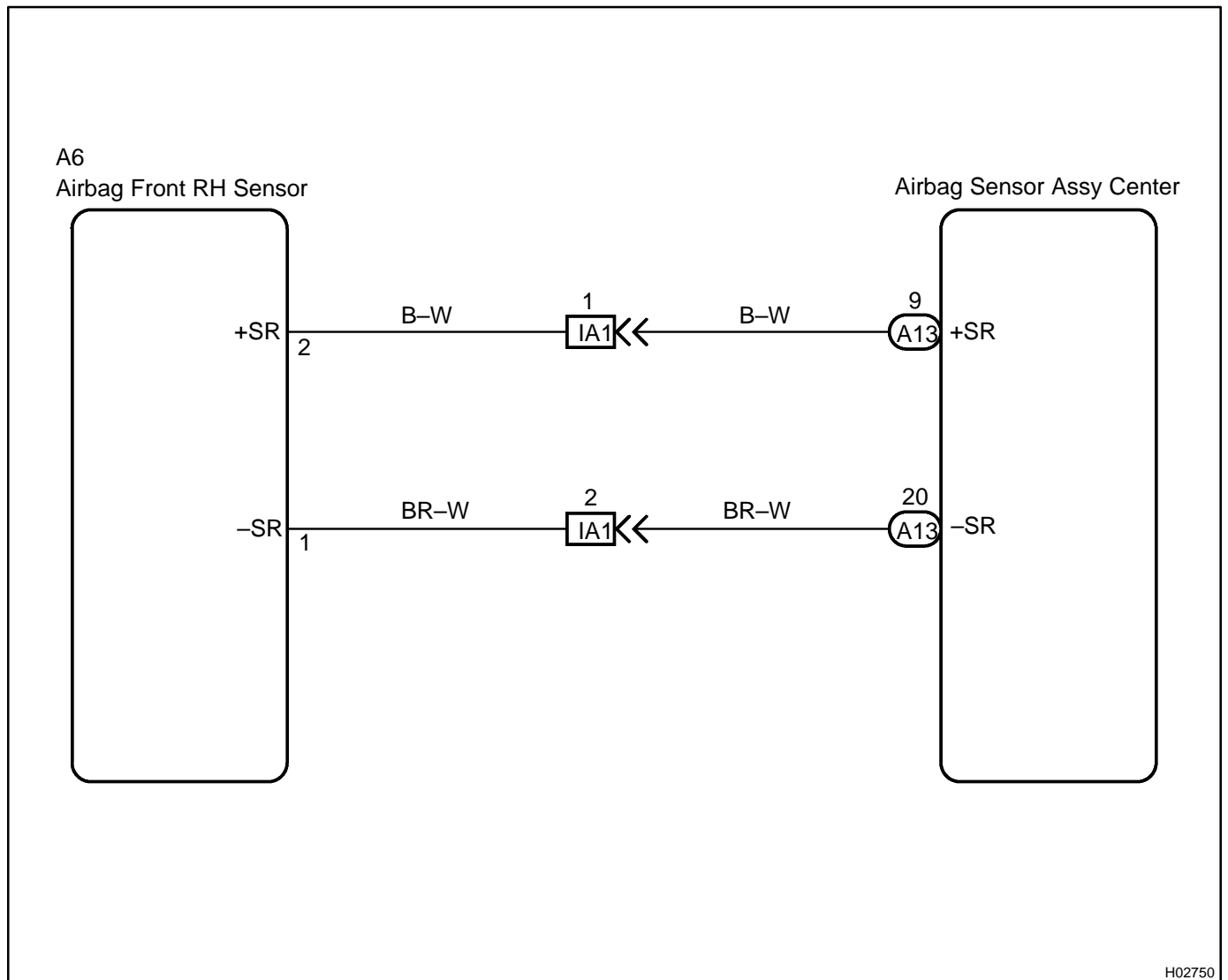
DTC	B1157/15	FRONT AIRBAG SENSOR (RH) MALFUNCTION
------------	-----------------	---

CIRCUIT DESCRIPTION

The airbag front RH sensor circuit consists of the airbag sensor assy center and airbag front RH sensor. DTC B1156/B1157/15 is recorded when a malfunction is detected in the airbag front RH sensor circuit.

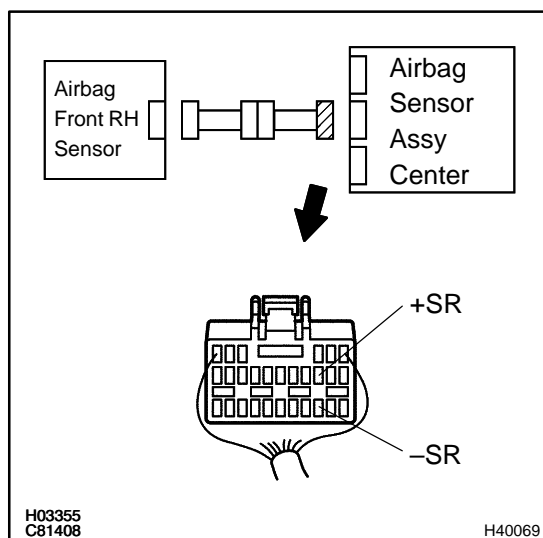
DTC No.	DTC Detecting Condition	Trouble Area
B1156/B1157/15	• Airbag front RH sensor malfunction	<ul style="list-style-type: none"> • Airbag front RH sensor • Airbag sensor assy center • Instrument panel wire • Engine room main wire

WIRING DIAGRAM



H02750

INSPECTION PROCEDURE

1 CHECK FRONT AIRBAG SENSOR (RH) CIRCUIT (TO B+)(AIRBAG SENSOR ASSY CENTER – AIRBAG FRONT RH SENSOR)


- (a) Disconnect the negative (–) terminal cable from the battery, and wait at least for 90 seconds.
- (b) Disconnect the connectors between the airbag front RH sensor and the airbag sensor assy center.
- (c) Connect the negative (–) terminal cable to the battery, and wait at least for 2 seconds.
- (d) Turn the ignition switch to ON.
- (e) For the connector (on the airbag sensor assy center side) between the airbag front RH sensor and the airbag sensor assy center, measure the voltage between body ground and each of +SR and –SR.

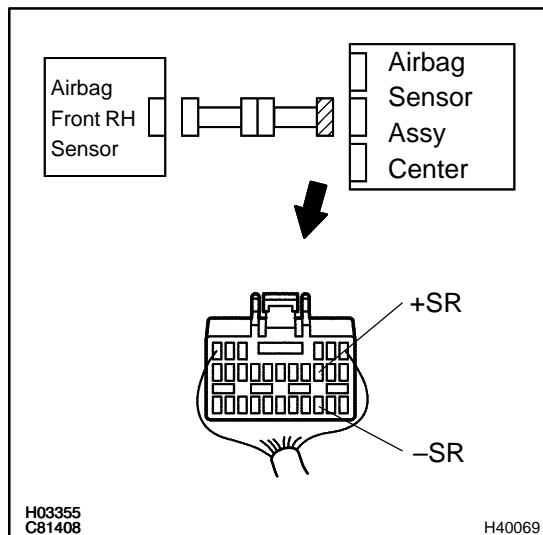
OK:

Voltage: Below 1 V

NG

Go to step 6

OK

2 CHECK FRONT AIRBAG SENSOR (RH) CIRCUIT (TO GROUND)(AIRBAG SENSOR ASSY – AIRBAG FRONT RH SENSOR)


- (a) Turn the ignition switch to LOCK.
- (b) Disconnect the negative (–) terminal cable from the battery, and wait at least for 90 seconds.
- (c) For the connector (on the airbag sensor assy center side) between the airbag front RH sensor and the airbag sensor assy center, measure the resistance between body ground and each of +SR and –SR.

OK:

Resistance: 1 MΩ or Higher

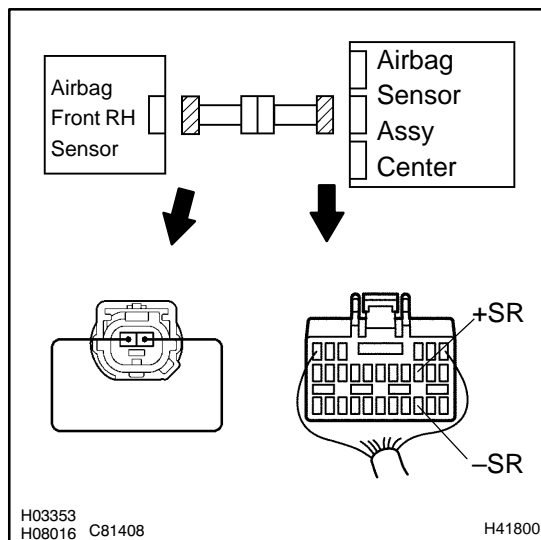
NG

Go to step 7

OK

3 CHECK FRONT AIRBAG SENSOR (RH) CIRCUIT (OPEN) (AIRBAG SENSOR ASSY CENTER - AIRBAG FRONT RH SENSOR)

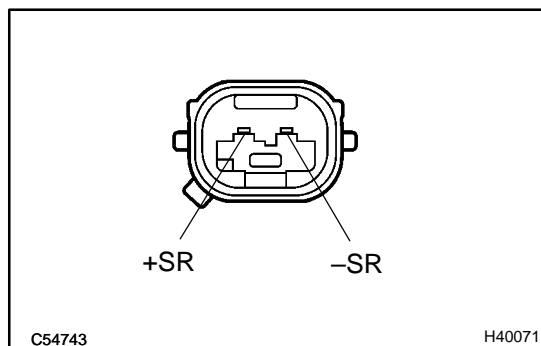
SST 09843-18040



- (a) Using a service wire, connect +SR and -SR of the connector (on the airbag front RH sensor side) between the airbag front RH sensor and the airbag sensor assy center.
- (b) For the connector (on the airbag sensor assy center side) between the airbag front RH sensor and the airbag sensor assy center, measure the resistance between +SR and -SR.

OK:**Resistance: Below 1 Ω** **NG****Go to step 8****OK**

4 INSPECT AIR BAG FRONT RH SENSOR

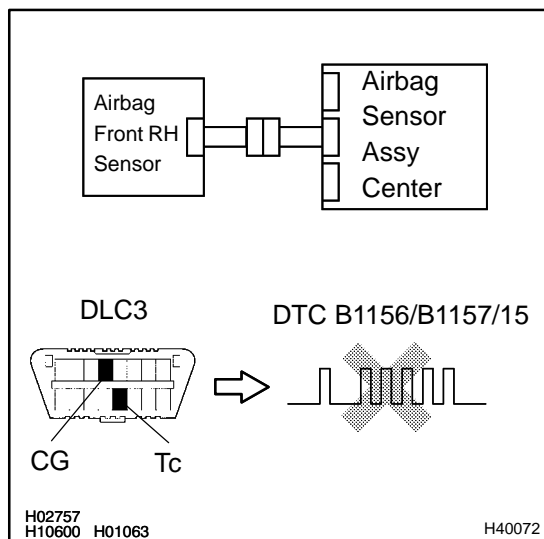


- (a) For the connector of the airbag front RH sensor, measure the resistance between +SR and -SR.

OK:**Resistance: 820 Ω** **NG****REPLACE AIR BAG FRONT RH SENSOR****OK**

5 CHECK AIR BAG SENSOR ASSY CENTER

SST 09843-18040



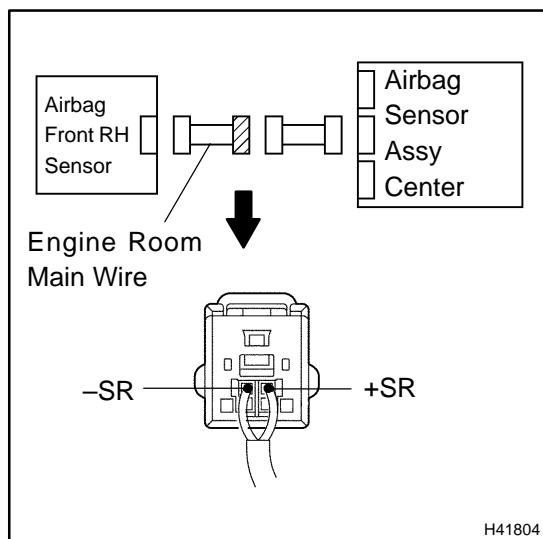
- Disconnect the negative (-) terminal cable from the battery, and wait at least for 90 seconds.
- Connect the airbag front RH sensor connector and airbag sensor assy center connector.
- Connect the negative (-) terminal cable to the battery, and wait at least for 2 seconds.
- Turn the ignition switch to ON, and wait at least for 20 seconds.
- Clear the DTC stored in memory (See page 05-424).
- Turn the ignition switch to LOCK, and wait at least for 20 seconds.
- Turn the ignition switch to ON, and wait at least for 20 seconds.
- Check the DTC (See page 05-424).

OK:**DTC B1156/B1157/15 is not output.****HINT:**

Codes other than code B1156/B1157/15 may be output at this time, but they are not relevant to this check.

NG**REPLACE AIR BAG SENSOR ASSY CENTER****OK****USE SIMULATION METHOD TO CHECK**

6 CHECK ENGINE ROOM MAIN WIRE HARNESS (TO B+)(CONNECTOR - AIRBAG FRONT RH SENSOR)



- Turn the ignition switch to LOCK.
- Disconnect the negative (-) terminal cable from the battery, and wait at least for 90 seconds.
- Disconnect the connector between the engine room main wire and the instrument panel wire.
- Connect the negative (-) terminal cable to the battery, and wait at least for 2 seconds.
- Turn the ignition switch to ON.
- For the engine room main wire connector (on the airbag sensor assy center side) between the airbag sensor assy center and the airbag front RH sensor, measure the voltage between body ground and each of +SR and -SR.

OK:

Voltage: Below 1 V

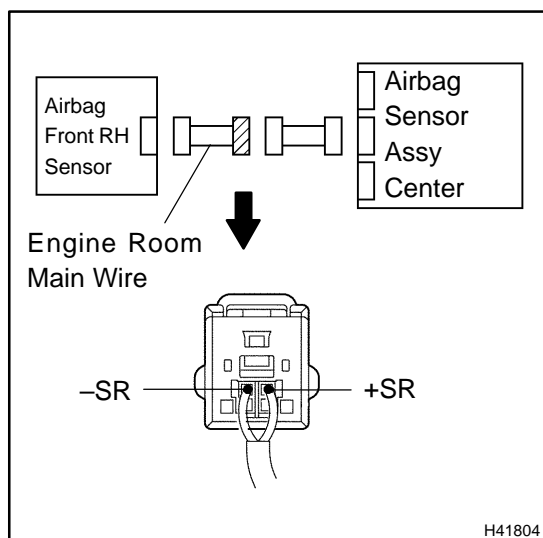
NG

REPAIR OR REPLACE ENGINE ROOM MAIN WIRE

OK

REPAIR OR REPLACE INSTRUMENT PANEL WIRE

7 CHECK ENGINE ROOM MAIN WIRE HARNESS (TO GROUND)(CONNECTOR - AIRBAG FRONT RH SENSOR)



- Disconnect the connectors between the engine room main wire and the instrument panel wire.
- For the engine room main wire connector (on the airbag sensor assy center side) between the airbag sensor assy center and the airbag front RH sensor, measure the resistance between body ground and each of +SR and -SR.

OK:

Resistance: 1 MΩ or Higher

NG

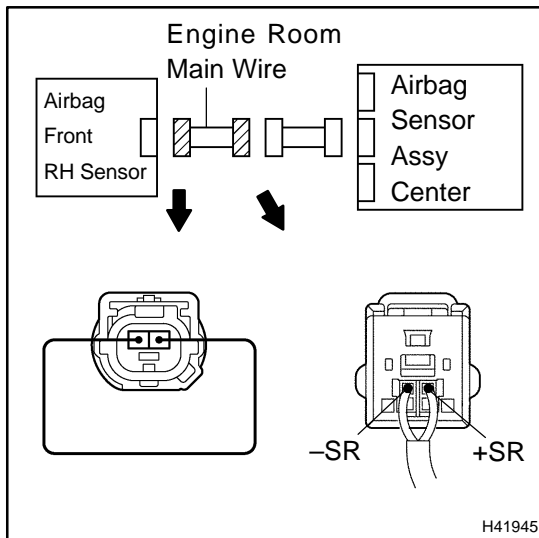
REPAIR OR REPLACE ENGINE ROOM MAIN WIRE

OK

REPAIR OR REPLACE INSTRUMENT PANEL WIRE

8 CHECK ENGINE ROOM MAIN WIRE HARNESS(OPEN)(CONNECTOR – AIRBAG FRONT RH SENSOR)

SST 09843-18040



- Disconnect the connectors between the engine room main wire and the instrument panel wire.
- Using a service wire, connect +SR and -SR of the engine room main wire connector (on the airbag front RH sensor side) between the airbag sensor assy center and the airbag front RH sensor.
- For the engine room main wire connector (on the airbag sensor assy center side) between the airbag sensor assy center and the airbag front RH sensor, measure the resistance between the +SR and -SR.

OK:**Resistance: Below 1 Ω** **NG****REPAIR OR REPLACE ENGINE ROOM MAIN WIRE****OK****REPAIR OR REPLACE INSTRUMENT PANEL WIRE**