

DTC	B1135/24	HARF CONNECTION IN AIRBAG SENSOR ASSY CONNECTOR
------------	-----------------	--

CIRCUIT DESCRIPTION

The airbag sensor assy center detects partial connection of connector.

DTC B1135/24 is recorded when the airbag sensor assy center detects an open in the electrical connection check mechanism of the airbag sensor connector or in the airbag sensor circuit.

DTC No.	DTC Detecting Condition	Trouble Area
B1135/24	<ul style="list-style-type: none"> • Malfunction of electrical connection check mechanism of airbag sensor assy center connector • Airbag sensor assy center malfunction 	<ul style="list-style-type: none"> • Electrical connection check mechanism • Airbag sensor assy center

INSPECTION PROCEDURE

1 CHECK AIRBAG SENSOR ASSY CENTER CONNECTOR

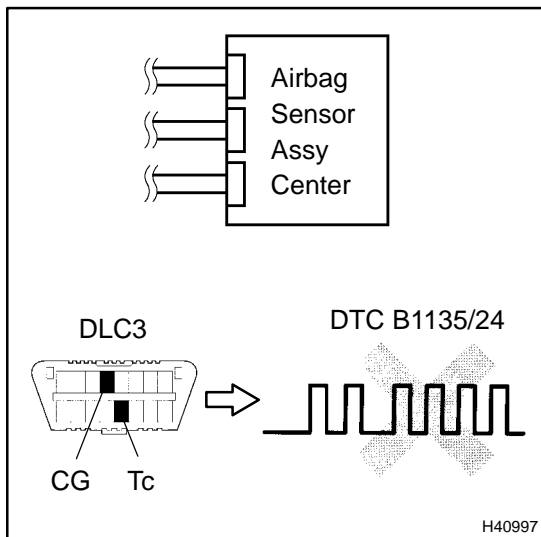
- (a) Disconnect negative (-) terminal cable from the battery, and wait at least for 90 seconds.
- (b) Check the connection of the airbag sensor assy center connectors.

NG → **CONNECT CONNECTORS**

OK

2 CHECK AIR BAG SENSOR ASSY CENTER

SST 09843-18040



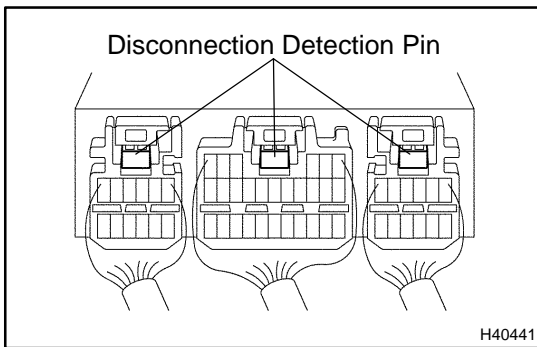
- (a) Connect the negative (-) terminal cable to the battery, and wait at least for 2 seconds.
- (b) Turn the ignition switch to ON, and wait at least for 20 seconds.
- (c) Clear the DTC stored in memory (See page 05-424).
- (d) Turn the ignition switch to LOCK, and wait at least for 20 seconds.
- (e) Turn the ignition switch to ON, and wait at least for 20 seconds.
- (f) Check the DTC (See page 05-424).

OK:
DTC B1135/24 is not output.

HINT:
Codes other than code B1135/24 may be output at this time, but they are not relevant to this check.

OK → **USE SIMULATION METHOD TO CHECK**

NG

3 CHECK PERFORM A VISUAL CHECK OF THE DISCONNECTION DETECTION PIN

- (a) Turn the ignition switch to LOCK.
- (b) Disconnect the negative (-) terminal cable from the battery, and wait at least for 90 seconds.
- (c) With 3 connectors connected to the airbag sensor assy center, place tester leads onto any 2 of 3 disconnection detection pins and check for continuity.

OK:**Continuity****NG****REPAIR OR REPLACE AIRBAG SENSOR ASSY CENTER CONNECTOR****OK****REPLACE AIR BAG SENSOR ASSY CENTER**