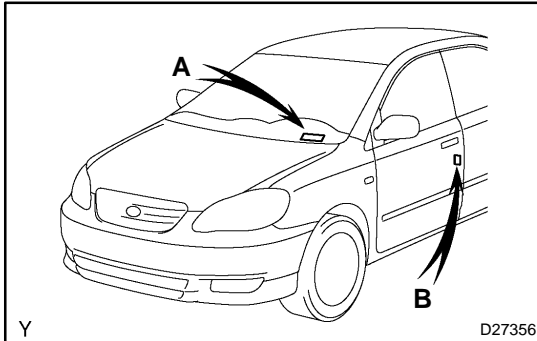


# IDENTIFICATION INFORMATION

## VEHICLE IDENTIFICATION AND SERIAL NUMBERS

01031-06

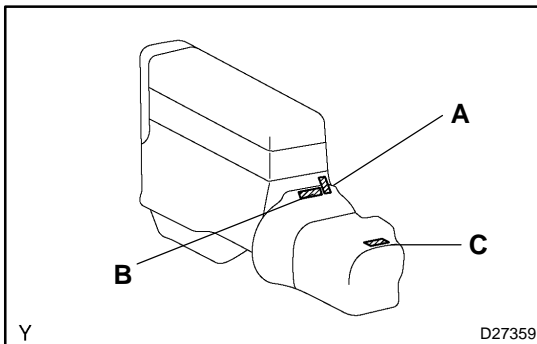


### 1. VEHICLE IDENTIFICATION NUMBER

- (a) The vehicle identification number is stamped on the vehicle identification number plate and certification label, as shown in the illustration.

**A: Vehicle Identification Number Plate**

**B: Certification Label**



### 2. ENGINE SERIAL NUMBER AND TRANSAXLE SERIAL NUMBER

- (a) The engine serial number is stamped on the cylinder block of the engine, and the transaxle serial number is stamped on the housing, as shown in the illustration.

**A: 1ZZ-FE**

**B: C59**

**C: A245E**