

# UNITED STATES PATENT OFFICE.

BYRON C. GOSS, OF CLEVELAND, OHIO.

## FOUNTAIN-PEN-SHAPED PISTOL.

Application filed June 15, 1926. Serial No. 116,204.

This invention relates to small fire arms, of the type that may be readily carried in the pocket, and that has been given a shape that will not disclose its identity when it is seen  
5 by others.

An object of the invention is to provide a fire arm shaped like a fountain pen, and that has the size and color of a fountain pen, and that may be displayed in public in the  
10 presence of persons that it is desired to subdue and capture, without arousing suspicion.

The fountain pen fire arm is especially applicable for use with tear gas cartridges, such for example as described in my applica-  
15 tion Serial No. 98,270, filed March 29, 1926.

In the accompanying drawings,

Figure 1 illustrates a side view in elevation of the completed pen gun as carried in the  
20 pocket.

Fig. 2 is a longitudinal sectional view on the line 2—2 of Fig. 1.

Figs. 3 and 4 are views of a modification showing the barrel to be joined by a bayonet  
25 joint.

Fig. 5 illustrates face and edge views of an adjustable plug or breech block;

Fig. 6 illustrates a longitudinal section of a cylindrical trigger, recessed to receive one  
30 end of a spring;

Fig. 7 is a front end view of the trigger;

Fig. 8 is a view, partly in section, showing a cartridge in place.

In Figs. 1 and 2, the barrel 1 is shown threaded at 2, by which it is joined to the  
35 stock or handle 3 with the thread 4. Within the stock 3, is a threaded plug or breech block 5, Fig. 5, perforated at 6, and provided with a screw driver slot 7, or other means to adjust its position. An internal cylindrical trig-  
40 ger, 8, provided with a firing pin 9, and a cocking handle 10, which travels in the slot 11, provided with the offset 12, is recessed as at 13 to seat the spring 14, which latter sets in a recess 15 at the other end of the  
45 handle 3. After pulling back the cocking handle 10 in slot 11, until it is seated in the offset 12, which is shown as slightly inclined so as to lock the handle 10, the barrel 1 may be detached, and a tear gas cartridge 16 in-  
50 serted, Fig. 8.

In the modifications shown in Figs. 3 and 4, the barrel 20 is provided with a pin 21, which engages the re-entrant slot 22, the

cooperating ends of the barrel and of the handle 24 are preferably made slightly conical as at 23, to provide a firm joint.

The pistol may be safely carried in the pocket in this condition, ready for instant use, and may be displayed in the presence of  
60 groups of people without arousing suspicion, because of its resemblance to a fountain pen. Upon releasing the handle 10, the spring 14 drives the firing pin trigger forward, and the pin passes through the hole 6 and strikes the cartridge 16, firing it, and discharging the  
65 tear gas composition. The barrel 1 may then be opened, or detached, the cartridge shell removed, and a new one inserted.

I claim:

1. A fountain pen shaped pistol, compris-  
70 ing a fountain pen shaped barrel, a fountain pen shaped stock, co-operating cone-shaped engaging elements on said barrel and stock with a pin on the barrel and a co-operating re-entrant slot on the stock, said stock con-  
75 taining a spring controlled trigger, and means to retain said trigger in a retracted position.

2. A fountain pen shaped pistol compris-  
80 ing a fountain pen shaped barrel, a fountain pen shaped stock, co-operating engaging elements on said barrel and stock, said stock containing an adjustable breech block, a spring controlled trigger, a firing pin on said trigger, and means on said trigger compris-  
85 ing a headed projecting pin extending through a co-operating re-entrant slot in the wall of the barrel to retain said trigger in a retracted position.

3. A fountain pen shaped pistol compris-  
90 ing a fountain pen shaped barrel, a fountain pen shaped stock, co-operating cone-shaped engaging elements on said barrel and stock with a pin on the barrel and a co-operating re-entrant slot in the stock, said stock con-  
95 taining an adjustable breech block, a spring-controlled trigger, a firing pin on said trigger, a re-entrant slot on said stock, a detachable headed pin in said trigger co-operating with said second re-entrant slot to re-  
100 tain said trigger in a retracted position, and a pocket engaging clip on the side of the barrel.

In testimony whereof I hereby affix my signature.

BYRON C. GOSS.

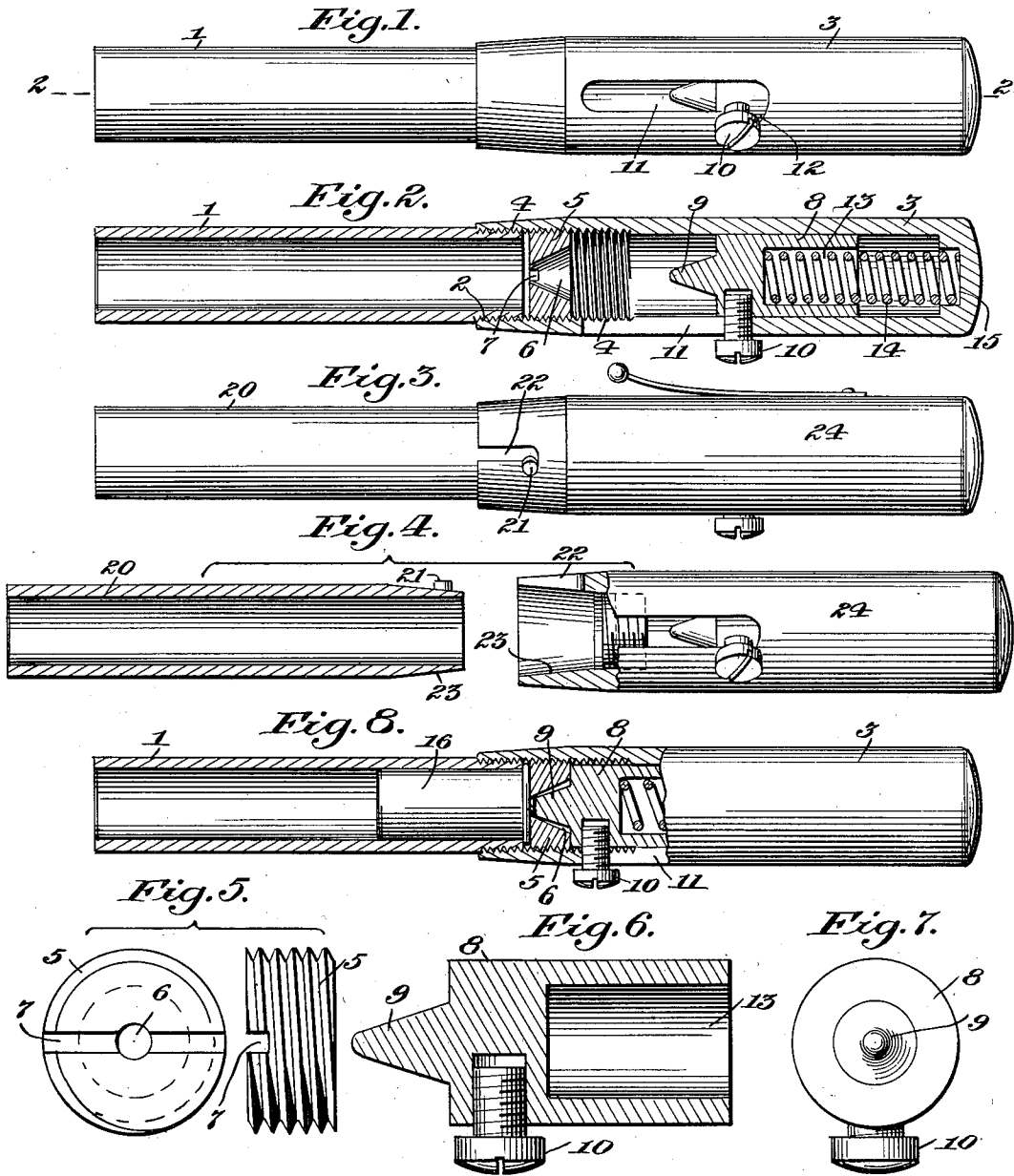
March 27, 1928.

1,663,834

B. C. GOSS

FOUNTAIN PEN SHAPED PISTOL

Filed June 15, 1926



Inventor:  
Byron C. Goss,

by Joseph W. Harris

Att'y.