

FULL AUTO



RUGER 10/22



**FULL AUTO
CONVERSION MANUAL**

Sequence Of Operation

A look through the accompanying drawings will give the exact orientation and relationship of the parts controlling the firing cycle.

To achieve positive and reliable functioning, the trigger group for the select-fire Ruger 10-22 was redesigned incorporating the basic design of the Belgian FN-FAL and West German HK-G3 battle rifle families. Both of these weapon systems are legendary in performance and reliability.

The modified 10-22 still retains the closed-bolt mode of operation.

When firing the modified weapon, the following sequence of events occur:

(1) COCKING THE WEAPON

1. Assuming there is a loaded magazine in place, the user retracts the bolt handle (and bolt assembly) which rotates the hammer rearward. This action compresses the recoil spring.

2. As the hammer almost completes its rearward rotation, the bottom of the hammer contacts the top of the disconnecter which in turn pivots downward, releasing the sear to rotate upward into position against the hammer. The engagement between the hammer and sear is not yet set at this time because the hammer is fully rotated rearward.

3. During this same initial rearward movement of the bolt and hammer, the release lever and catch also move rearward slightly. The travel of these parts is limited by the ejector pin which is positioned through a slot in the release lever. Both parts have independent torsion springs which forces them to rotate rearward. The stationary arm of these springs locates against the ejector pin. As the bolt and hammer complete their rearward travel, the engagement surface of the catch is against the hammer ready to engage the 'burst' notch.

4. When the bolt is fully retracted, it is released. Recoil spring tension then propels it forward.

5. At this same instant, the hammer (released from contact with the bottom of the bolt) rotates forward slightly and securely engages the sear and catch, (both previously positioned) in their respective engagement notches.

6. As the bolt is moving forward, it strips a live cartridge from the magazine and begins to chamber it.

7. At a given point just before the bolt closes completely, the top of the release lever (having previously moved rearward) makes contact with a radiused slot machined in the bottom of the bolt. As the bolt continues forward motion, the release lever rotates forward. Through engagement with the catch by means of a laterally positioned roll pin, the release lever rotates the catch out of engagement with the hammer. (Both the catch and release lever pivot on a common pin).

At this point, the weapon is ready to fire.

(2) SEMI-AUTO FIRE

1. The weapon is now in a loaded and cocked position as established in the sequence above.

2. The safety should now be moved to the "OFF" position. (The safety is unaltered in this modification and functions identically as before. By moving the safety to "OFF," the lower lug of the sear is provided with clearance to enable downward travel when the trigger is depressed).

3. The selector lever must be positioned in the rearward, or "semi" position. In this position a lug on the bottom of the selector lever pivot will be positioned in a downward position and will limit the upward travel of the rear section of the trigger.

4. Depress the trigger, thereby releasing the sear and hammer engagement. The hammer, under spring tension from the hammer spring, rotates forward striking the rear of the firing pin and detonating the cartridge.

5. The bolt, acting on the pressure generated during the resultant explosion of detonation, moves rearward, extracting and ejecting the fired cartridge case.

6. As the bolt moves rearward, the release lever moves as previously explained. As the bolt completes rearward travel, the disconnecter disengages the sear enabling it to be in position for re-engagement with the hammer (as previously described).

7. Forward bolt travel performs the same functions as previously described. For another shot to be fired, the user must release the trigger and then depress it again to resume the sequence as described.

(3) FULL AUTO

1. The weapon is in a loaded and cocked position (as described in #1-7).

2. The safety is moved "OFF" (as described in #2-2).

3. The selector lever must be positioned in the forward or 'BURST' position. In this position, the lug on the bottom of the selector lever pivot has rotated rearward enough to avoid contacting the upper, rear area of the trigger. The trigger in this position can be depressed further.

4. Fully depress the trigger, thereby releasing the hammer-sear engagement and resulting in detonation of the cartridge (as described in #2-4).

5. The trigger remains depressed as the bolt cycles rearward, extracting and ejecting the fired case (as described in #2-5).

6. The release lever and catch have rotated rearward (as described in #1-3).

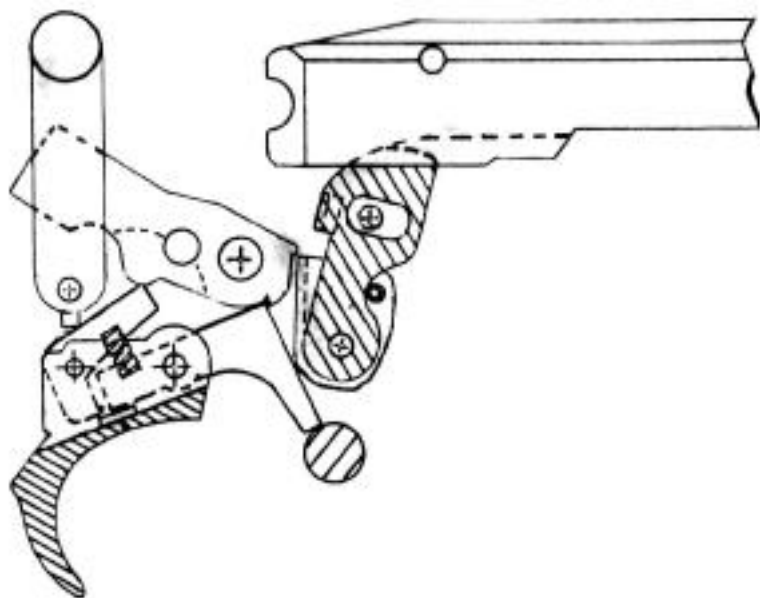
7. At the rearmost travel of the bolt and hammer, the disconnecter pivots downward and releases the sear to pivot upward. However, because the trigger/sear assembly has rotated further down than it did in the "semi" mode, the sear is not high enough to engage the hammer. The catch securely engages the hammer "burst notch," thereby holding the hammer rearward as the bolt begins forward travel, stripping and chambering a live cartridge.

8. At the instant before the bolt closes completely, the release lever contacts the bolt, pivots forward and disengages the catch (as described in #1-7). This allows the hammer to strike the firing pin and detonate the cartridge.

This cycle is repeated until the trigger is released. The sear can then rise, intercept the hammer, and interrupt the firing cycle.

SEMI-AUTO FUNCTIONING

Selector is set at "SEMI".
Bolt is in closed position.
Hammer is cocked, sear engaged.
Release lever and catch have pivoted forward.
Safety "ON".



* Moving safety to "OFF" and depressing trigger will fire weapon.

OPERATING SEQUENCE	
FULL SCALE	DRWG. NO. 14

FULL-AUTO FUNCTIONING

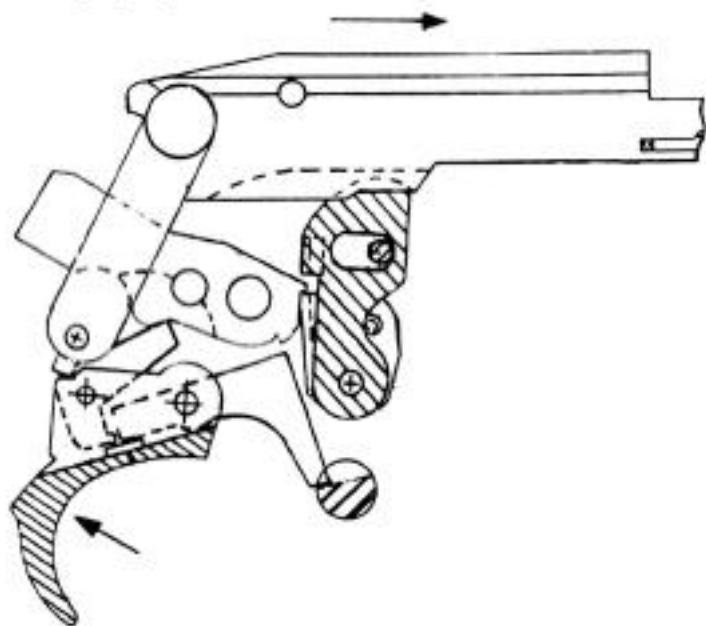
Selector is set at "BURST".

Safety "OFF".

Weapon has fired and bolt is moving forward under recoil spring tension.

Trigger is fully depressed, lowering the sear nose low enough to not engage hammer.

Release lever and catch have moved rearward and catch is engaging burst notch.



When bolt contacts and trips the release lever and catch assembly, the hammer falls to detonate cartridge.

OPERATING SEQUENCE	
FULL SCALE	DRWG NO. 15

2

Parts To Be Removed Semi-Auto

Due to the design and characteristics of the Ruger 10-22, it has been necessary to eliminate the use of the bolt lock, and bolt lock spring.

This was necessary because the release lever, release lever spring, catch, catch spring, and pivot pin occupy the space where these parts originally are located.

All other components are used in this conversion.

PARTS TO BE REMOVED FOR SELECT FIRE 10-22 CONVERSION



1
Bolt Lock Spring



2
Bolt Lock

3

Parts To Be Modified

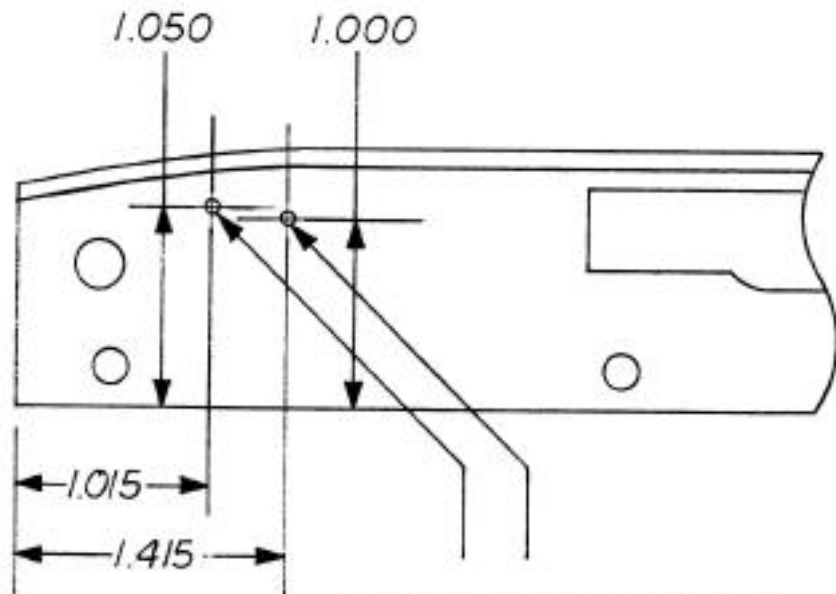
For select-fire conversion of the Ruger 10-22, minor modifications to six parts of the standard carbine is required. The modifications and purpose of each is described below.

1. Receiver- Drawing # 1.
The receiver requires two 1/16" x .030 deep drilled detents, positioned in such a manner as to securely locate the position of the selector lever.
2. Trigger Housing- Drawing # 2.
The trigger housing requires that a 1/8" hole be drilled through the housing as indicated. This facilitates assembly of the catch/release lever assembly. Also, a 7/32" hole and 9/16" long x 1/8" wide slot is required as indicated to allow assembly of the selector lever assembly.
3. Stock- Drawing # 3.
The stock must be altered as shown to allow clearance for the selector lever assembly.

4. Bolt- Drawing # 4.
The bolt requires a slot to be machined or cut into the bottom as indicated. This provides a contact surface and proper timing for contact with the release lever.

5. Trigger- Drawing # 5.
The trigger requires a small clearance cut to be made in the upper, rear portion near the disconnecter pin hole. The web area must be filed (as indicated) to provide further rotation of the trigger assembly. The drawing can be used as a template for location. Also, a small .150 x .030 shim is epoxied in position in the slot at the position indicated. This is necessary to limit the upward travel of the sear when it disengages from the disconnecter.

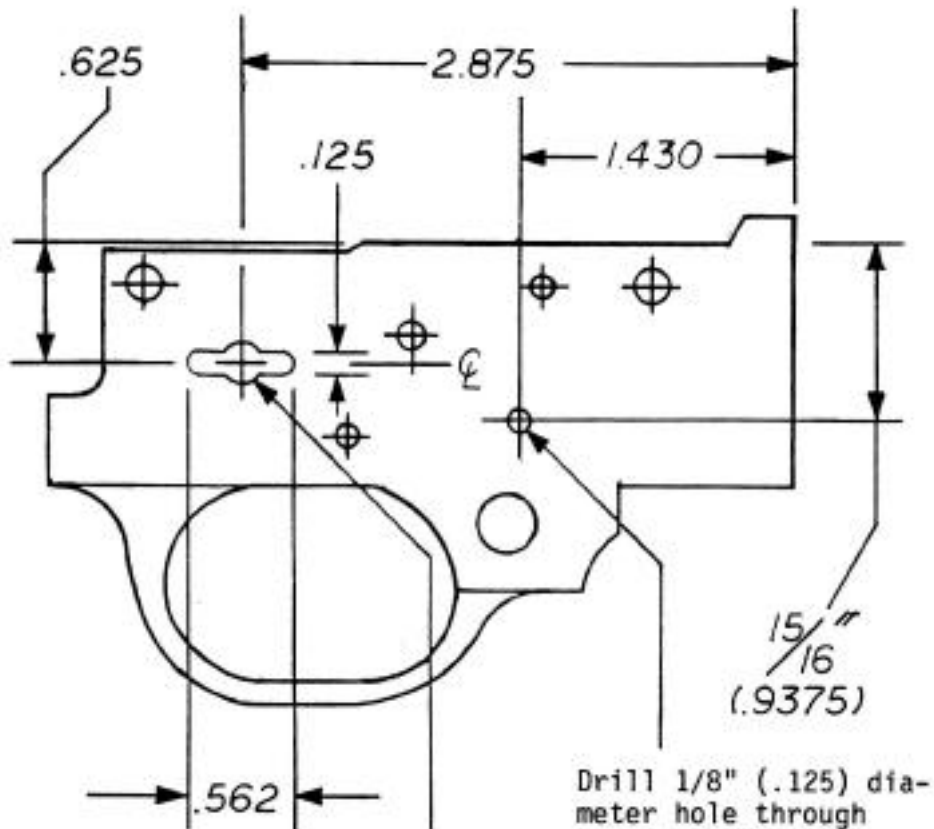
6. Hammer- Drawing # 6.
A "BURST" notch is cut into the hammer as indicated. This engages the catch when assembled.



Selector Positioning Detents

Drill 1/16" diameter x .030
deep

RECEIVER - F.A.	
FULL SCALE	DRWG. NO. 1



Drill $7/32"$ (.2187) diameter hole through right trigger housing only

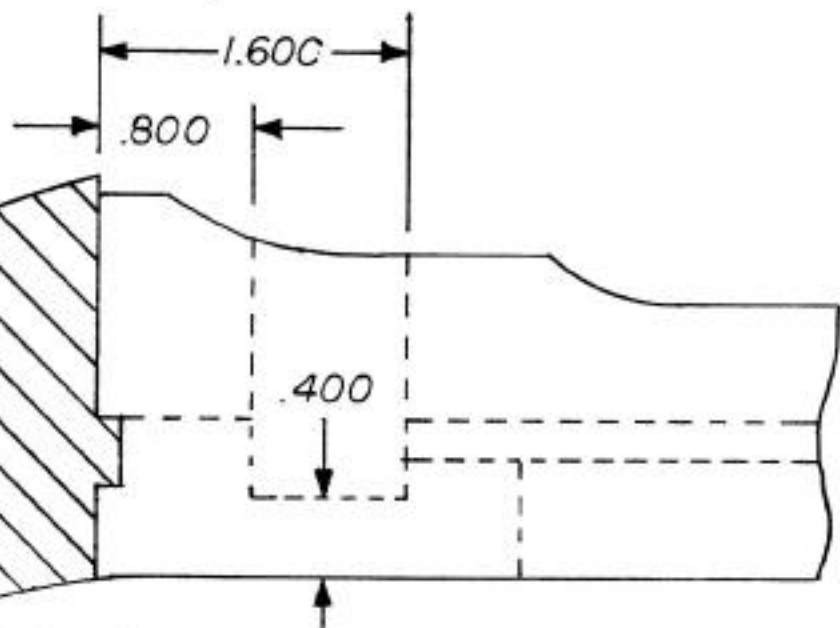
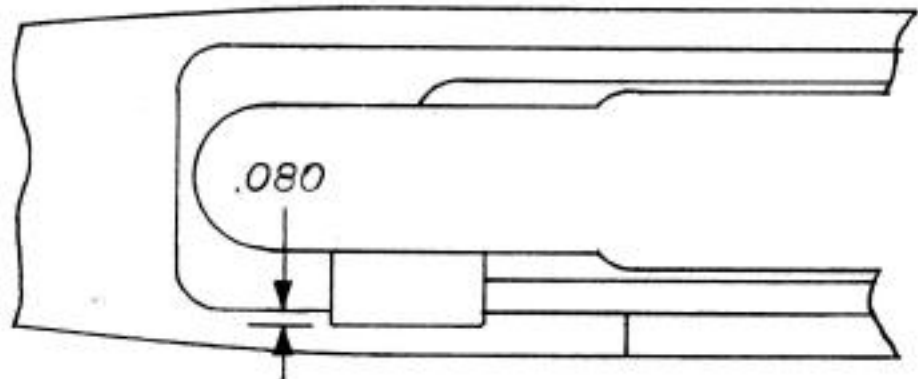
Drill $1/8"$ (.125) diameter hole through trigger housing (for R. Lever & Catch Pivot Pin)

Selector Assembly is installed in Trigger Housing by aligning the lugs and slot and inserting. Selector is rotated upwards 90° .

TRIGGER HOUSING - F.A.

FULL SCALE

DRWG. NO. 2

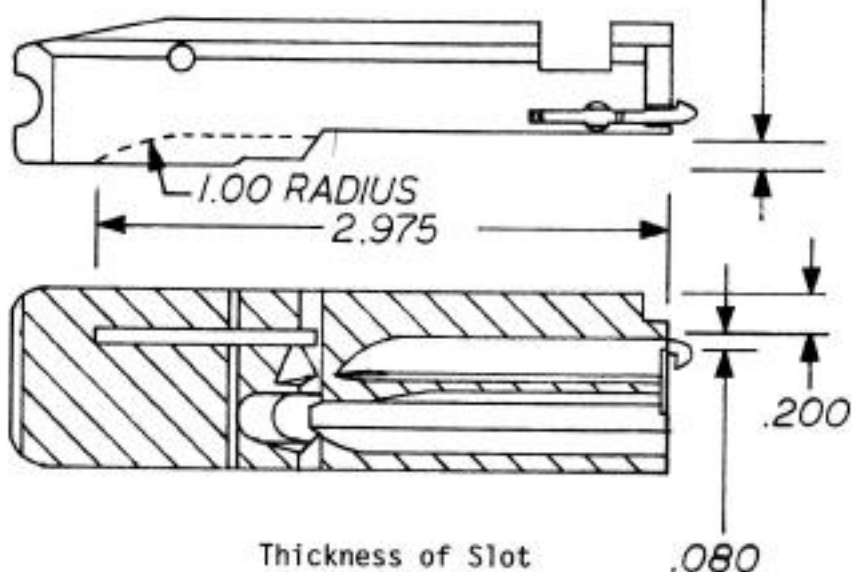


Inlet stock in this area to provide for Selector Assembly.

STOCK	
FULL SCALE	DRWG. NO. 3

Depth of Slot

.150



Diagonally shaded area represents the flat surfaces of underside of bolt.

BOLT - F.A., SELECTIVE FIRE	
FULL SCALE	DRWG. NO. 4

NOTE ON BOLTS

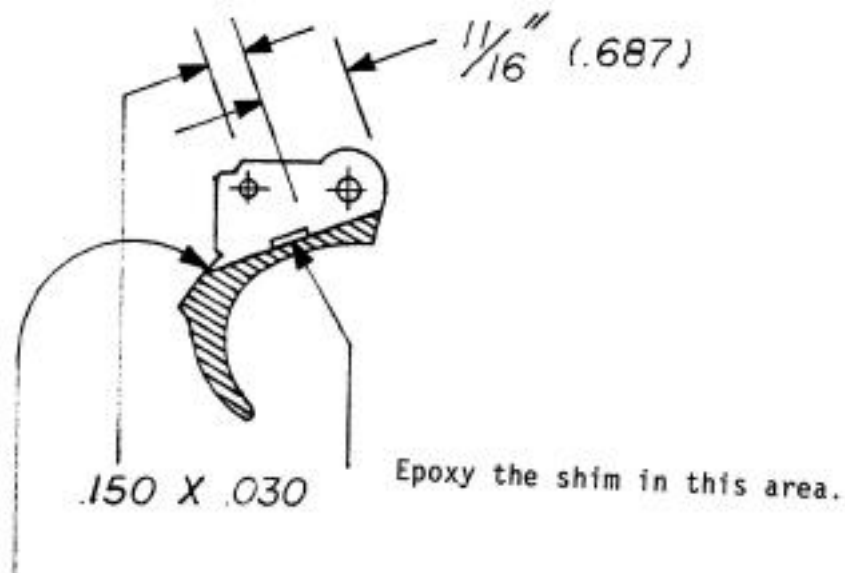
The bolt design for the Ruger 10-22 was changed at some point. Below are shown examples of each. For this modification, each bolt can be used or interchanged.



Old Style Bolt

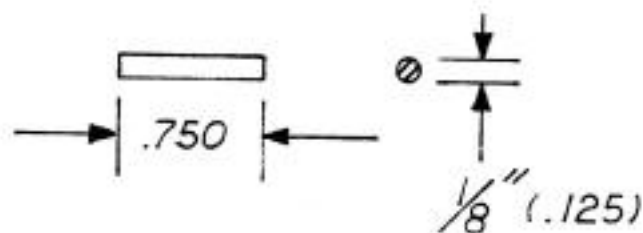


New Style Bolt

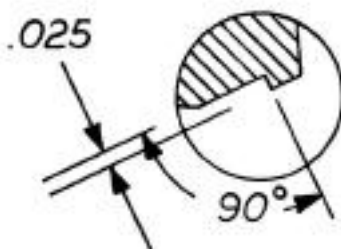


File web down in this area.

TRIGGER F.A.	
FULL SCALE	DRWG. NO.



PIVOT PIN-CATCH REL. LEVER	
FULL SCALE	DRWG. NO. 5



Burst Notch is to be ground to the dimensions shown.

HAMMER F.A.	
FULL SCALE	DRWG. NO. 6

Parts To Be Manufactured

The following are the new parts required for select-fire conversion of the Ruger 10-22. Materials for their construction are also included.

1. Release Lever- Drawing # 7.

The release lever is designed to be made from .050 thickness steel sheet metal. This part has a "tab" which is bent around almost double, providing a notch for location of the working arm of the release lever spring. The overall shape can be transferred by using the drawing as a template. The dimensioned areas should be as accurate as possible to ensure proper timing of hammer disengagement.

2. Catch- Drawing # 8.

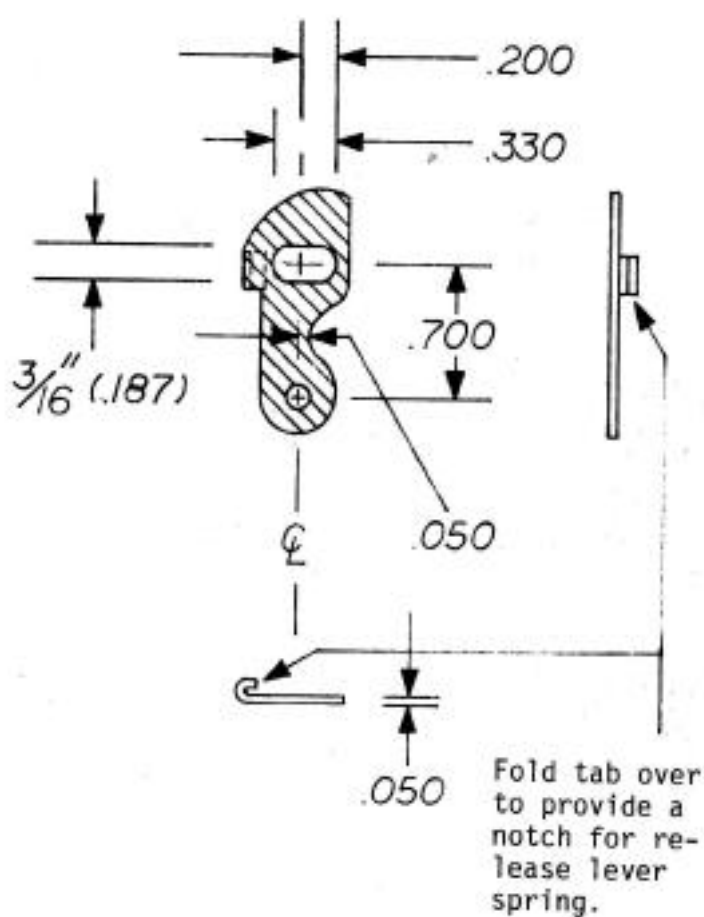
The catch shown can be made by bending a piece of .050 sheet metal into a channel shape of the proper width, and then filing the profile to match the drawing. A $3/32''$ x .510 roll pin is pressed through both sides of the catch as indicated. (Press a longer pin through and then grind to finished length.)

Dimensioned surfaces must be as accurate as possible to ensure proper engagement with the hammer.

3. Spring-Release Lever- Drawing # 9.
This torsion spring is to be made from .030 music wire or an equivalent. It can be easily made with a little practice. Use a 1/8" approximate diameter rod clamped in a vise for an arbor. Cut about a 3" long piece of wire and clamp both ends with vise grips. When the approximate angle as shown in the drawing is achieved, release the spring and bend the two curves as shown. Cut spring arms to the approximate length as shown on the drawing.
4. Spring-Catch- Drawing # 10.
Same as above in # 3.
5. Selector Lever- Drawing # 11.
The selector lever can be made from .050 thickness steel spring stock, or banding (if available). If neither is available, stock as used for the release lever and catch is sufficient.
6. Selector Positioning Lug- Drawing # 12.
This lug can be made of any available steel stock. To assemble in the selector lever, insert as shown and flatten the .125 x .060 diameter against the lever. The chamfer in the lever will allow the lug to mushroom and be securely fixed in place.

7. Selector Knob- Drawing # 13.

The selector knob can be made of the same material as the lug in # 7. The knob is knurled to provide a better grip. The .090 diameter x .040 "ball" firmly positions the selector assembly by mating with the indents in the receiver. To assemble the knob, either braze the knob in place, or flare the 3/16" (.187) diameter into the chamfer in the lever after the two are in position. Use a piece of steel rod with a 1/8" hole in the center as a punch to flare the knob securely.



RELEASE LEVER	
FULL SCALE	DRWG. NO. 7

Drill $\frac{3}{32}$ " (.0937)
through catch (Roll
Pin Location)

.375

.275

.175

.300

Drill $\frac{1}{8}$ " (.125)
hole through catch

.395

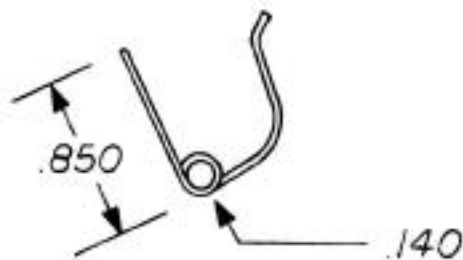
.510

$\frac{3}{32}$ " diameter by .510 length
Roll Pin

CATCH

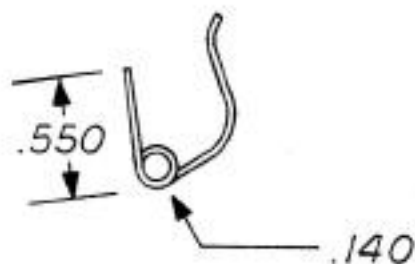
FULL SCALE

DRWG. NO. 8

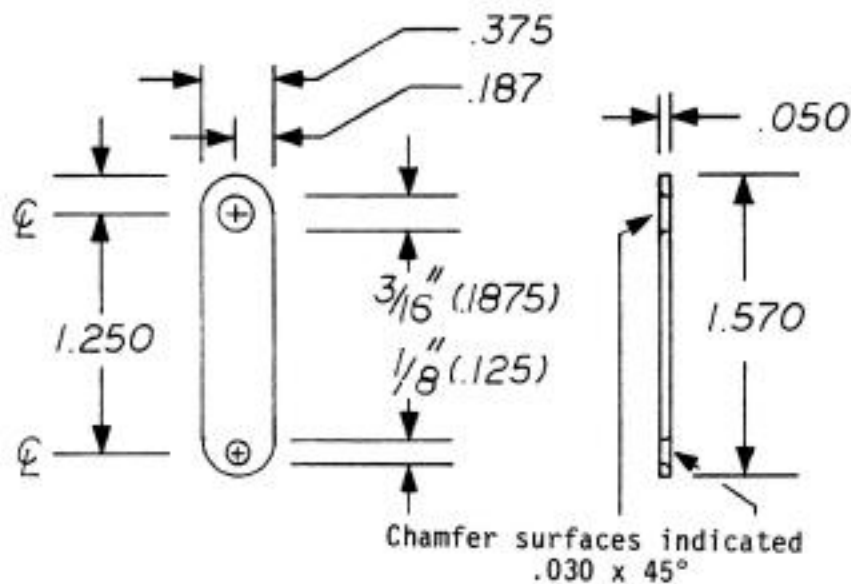


Make springs from .030 diameter music wire. Form springs to approximate shape as shown.

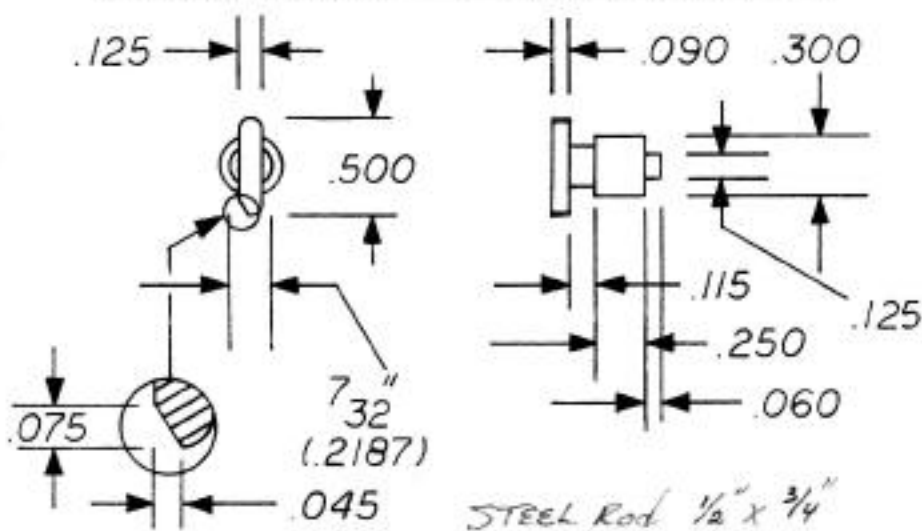
SPRING - RELEASE LEVER	
FULL SCALE	DRWG. NO. 9



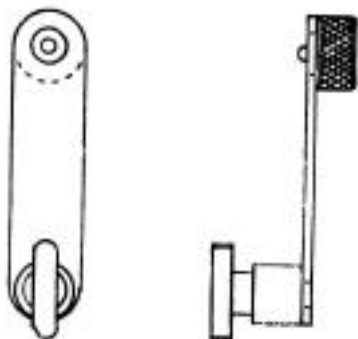
SPRING - CATCH	
FULL SCALE	DRWG. NO. 10



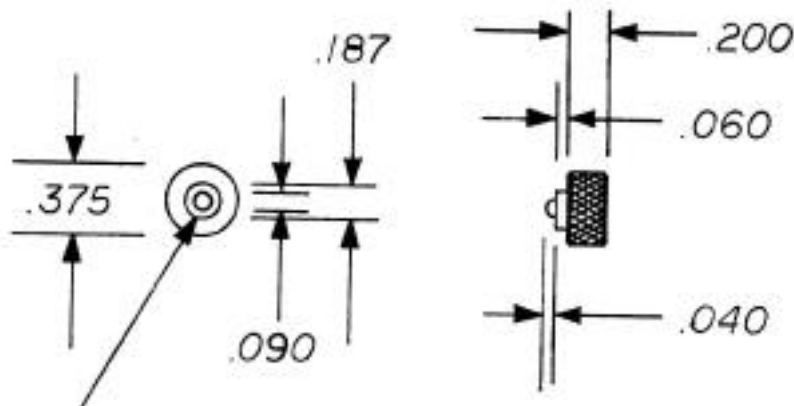
SELECTOR LEVER	
FULL SCALE	DRWG. NO. 11



SELECTOR POSITIONING LUG	
FULL SCALE	DRWG. NO. 12



Selector Assembly

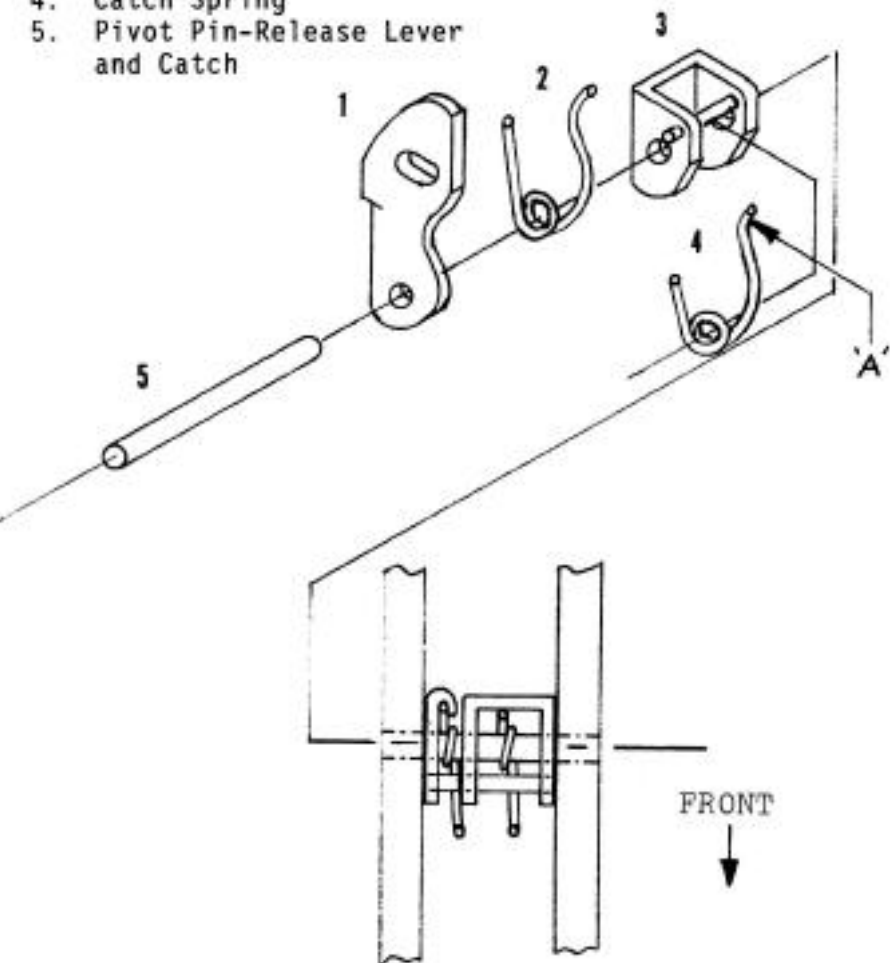


Flare this surface when
assembled in Selector Lever

SELECTOR ASSY & SEL. KNOB	
FULL SCALE	DRWG. NO. 13

RELEASE LEVER AND CATCH ASSEMBLY

1. Release Lever
2. Release Lever Spring
3. Catch
4. Catch Spring
5. Pivot Pin-Release Lever and Catch



'A'- This curved area on both springs is to be located against the rear side of the ejector pin. This provides tension on both springs to force the catch and release lever rearwards.



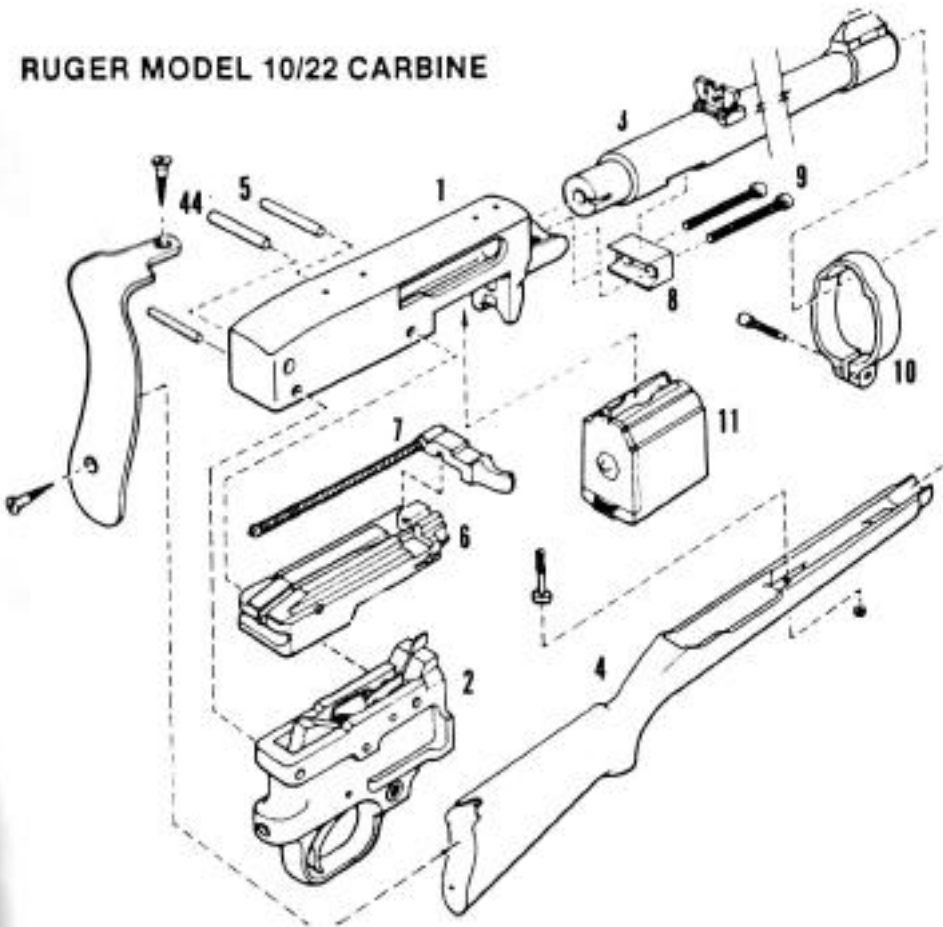
PARTS LIST

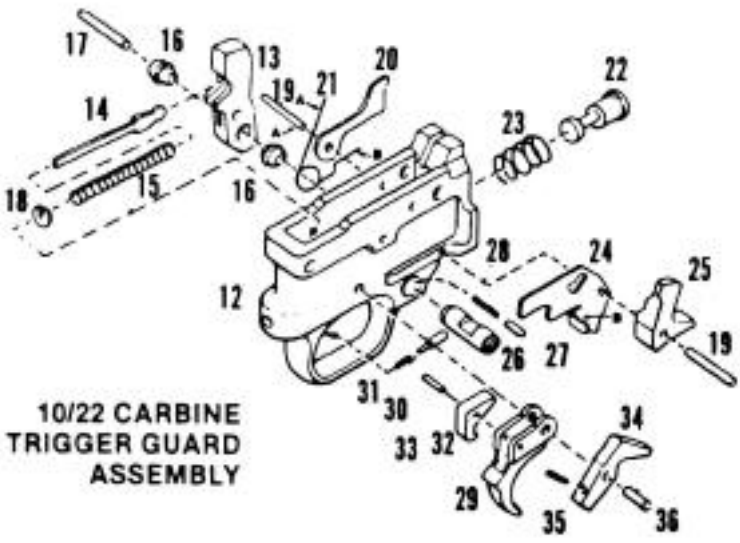
1. Receiver
2. Trigger Guard Assembly
3. Barrel
4. Stock
5. Receiver Cross Pins (2)
6. Bolt Assembly
7. Bolt Handle, Guide Rod, and Recoil Spring Assembly
8. Barrel Retainer
9. Barrel Retainer Screws
10. Barrel Band
11. Magazine
12. Trigger Housing
13. Hammer
14. Hammer Strut
15. Hammer Spring
16. Hammer Bushings (2)
17. Hammer Pivot Pin
18. Hammer Strut Washer
19. Pivot Pin-Magazine Latch and Ejector Pin
20. Ejector
21. Bolt Lock Spring
22. Magazine Latch Plunger
23. Magazine Latch Plunger Spring
24. Bolt Lock
25. Magazine Latch
26. Safety
27. Safety Detent Plunger
28. Safety Detent Plunger Spring
29. Trigger
30. Trigger Plunger
31. Trigger Plunger Spring
32. Disconnecter
33. Disconnecter Pivot Pin
34. Sear
35. Sear Spring

PARTS LIST CONTINUED

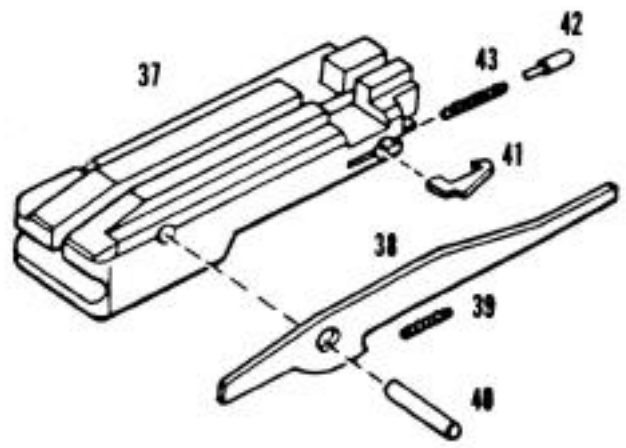
- 36. Trigger Pivot Pin
- 37. Bolt
- 38. Firing Pin
- 39. Firing Pin Rebound Spring
- 40. Firing Pin Stop Pin
- 41. Extractor
- 42. Extractor Plunger
- 43. Extractor Spring
- 44. Bolt Stop Pin

RUGER MODEL 10/22 CARBINE





**10/22 CARBINE
TRIGGER GUARD
ASSEMBLY**



**10/22 CARBINE
BOLT ASSEMBLY**