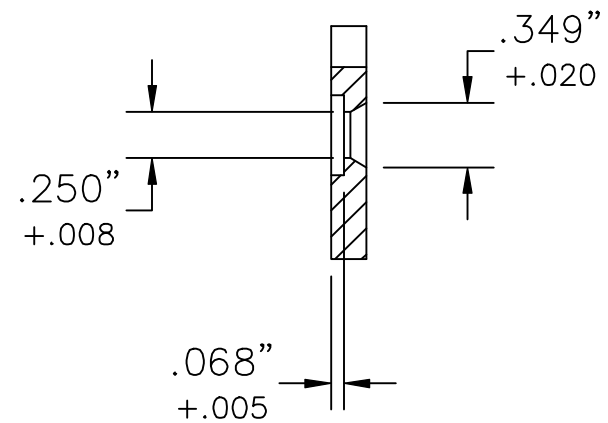
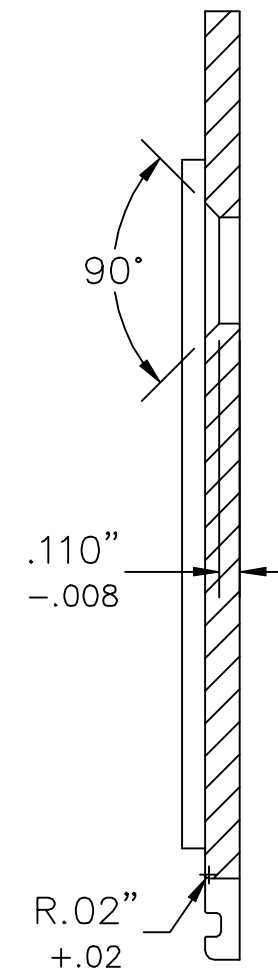


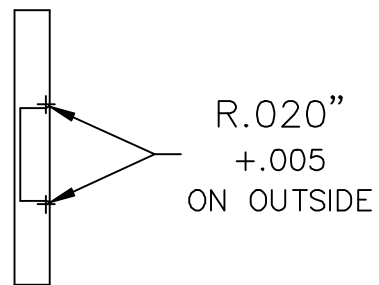
SECTION A-A



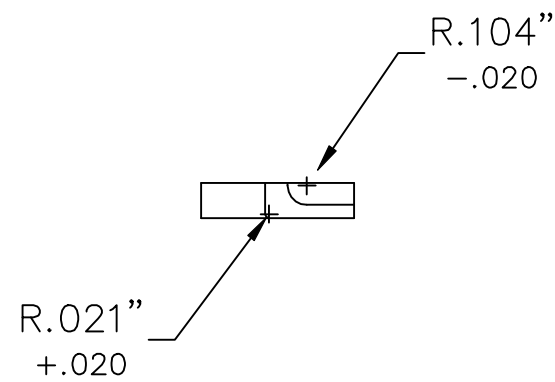
SECTION B-B



SECTION D-D



SECTION C-C



VIEW E

M2HB .50 CAL BMG
RIGHT HAND SIDE PLATE

TOLERANCES		
DEC MM	2 PL	
DEC MM	3 PL	±
ANGLES		±.5°

KBH
CHECKED BY _____